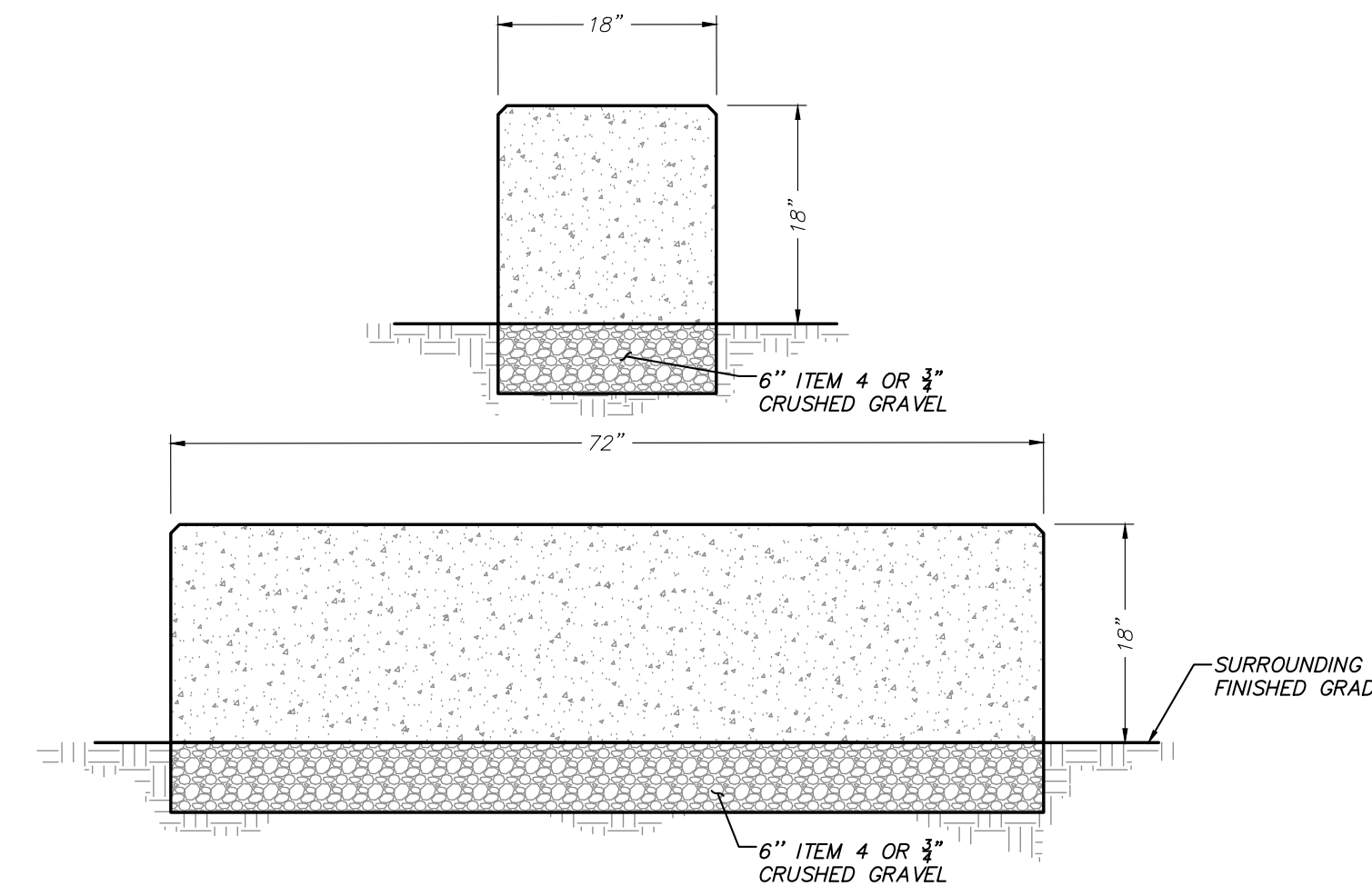


FENCE TYPE KEY MAP
 SCALE: 1" = 40'

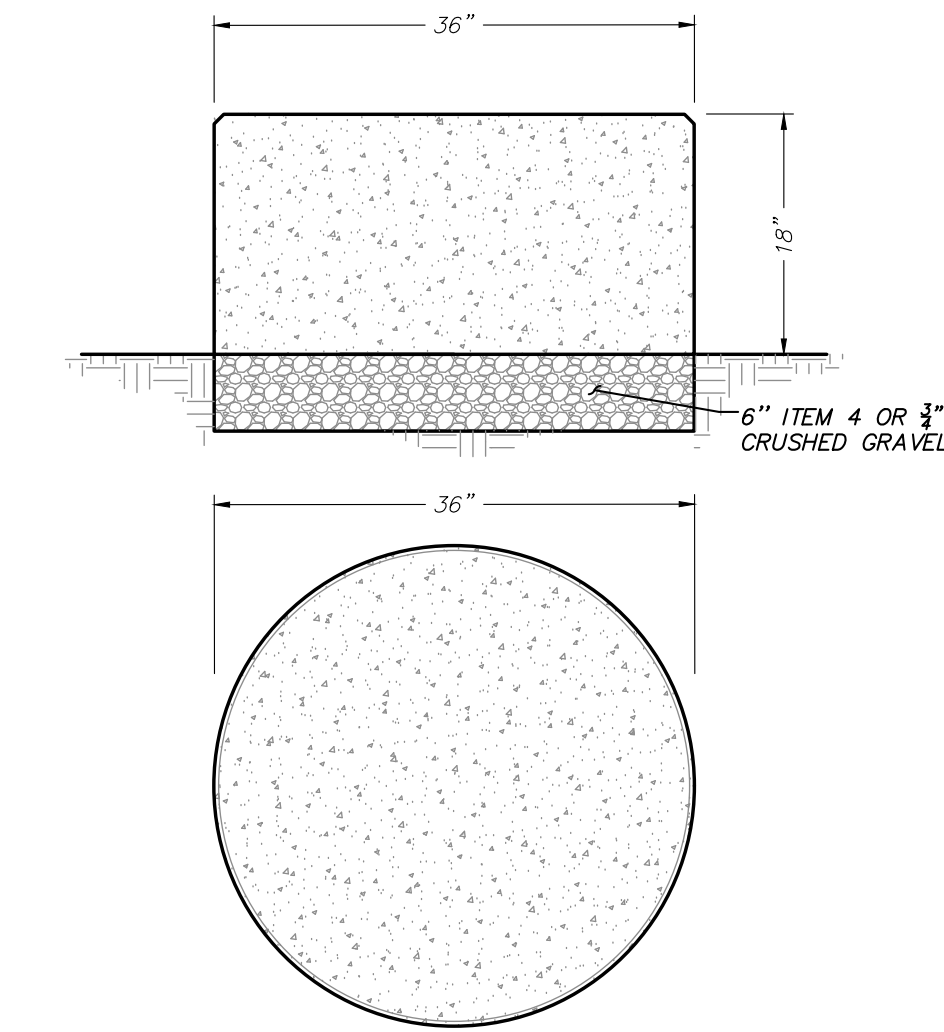
- NOTES:**
- SEE DETAILS AND SPECIFICATIONS FOR INDIVIDUAL FENCE TYPE DETAILS.
 - FOR ALL OTHER FENCES SHOWN ON PLAN SEE ARCHITECT'S PLANS.

TYPE	DESCRIPTION
1	6' PICKET FENCE WITH BRICK PIERS
2	6' CHAINLINK FENCE
3	6' CHAINLINK FENCE WITH GREEN SLATS
4	8' CHAINLINK FENCE WITH GREEN SLATS
5	6' CHAINLINK FENCE
6	6' VINYL FENCE



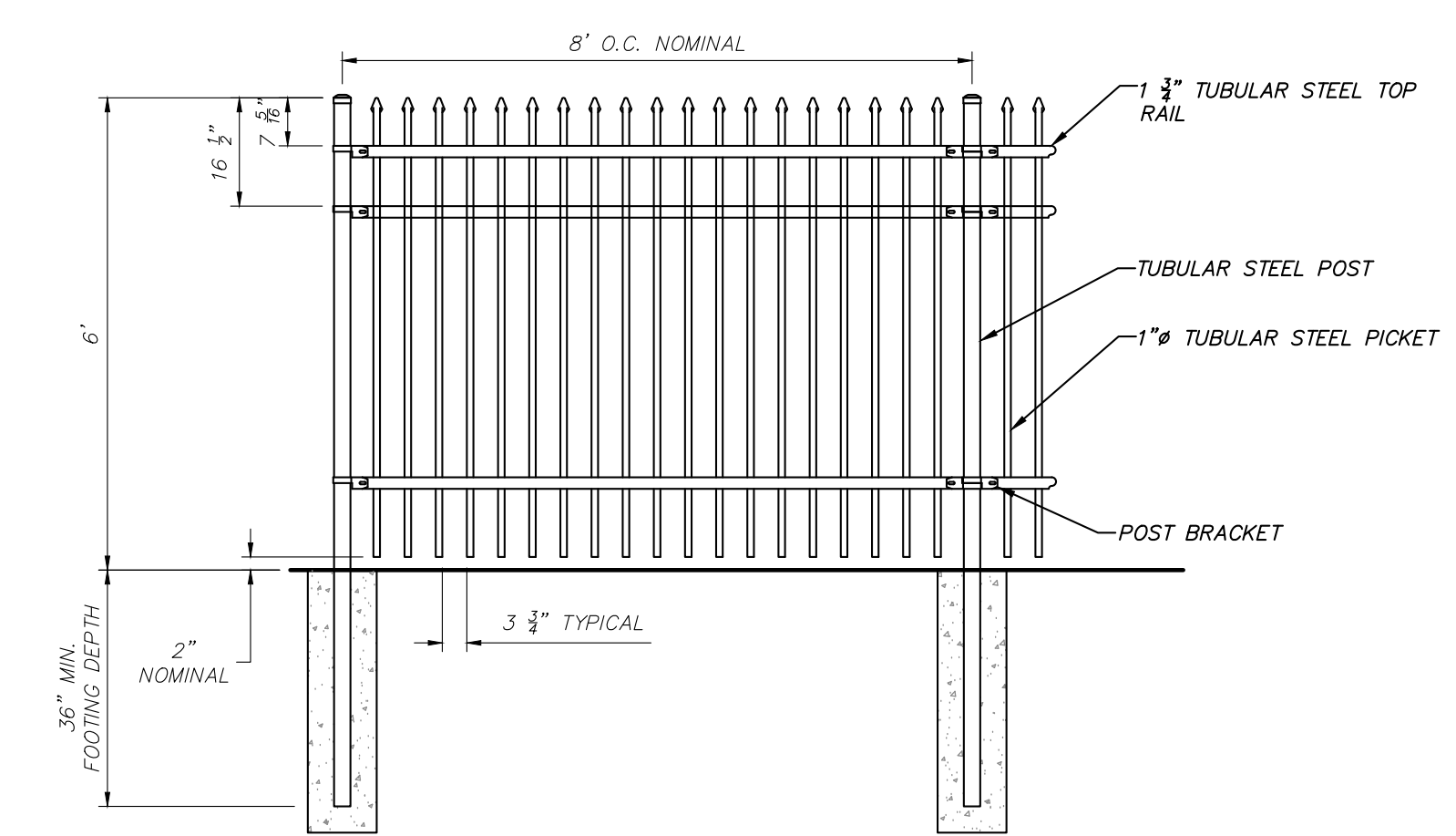
RECTANGULAR PRECAST CONCRETE BENCH DETAIL
 USED IN PLAYGROUND
 (N.T.S.)

- Notes:**
- As produced by Belson Outdoor or approved equal.
 - Color to be selected by YPS.



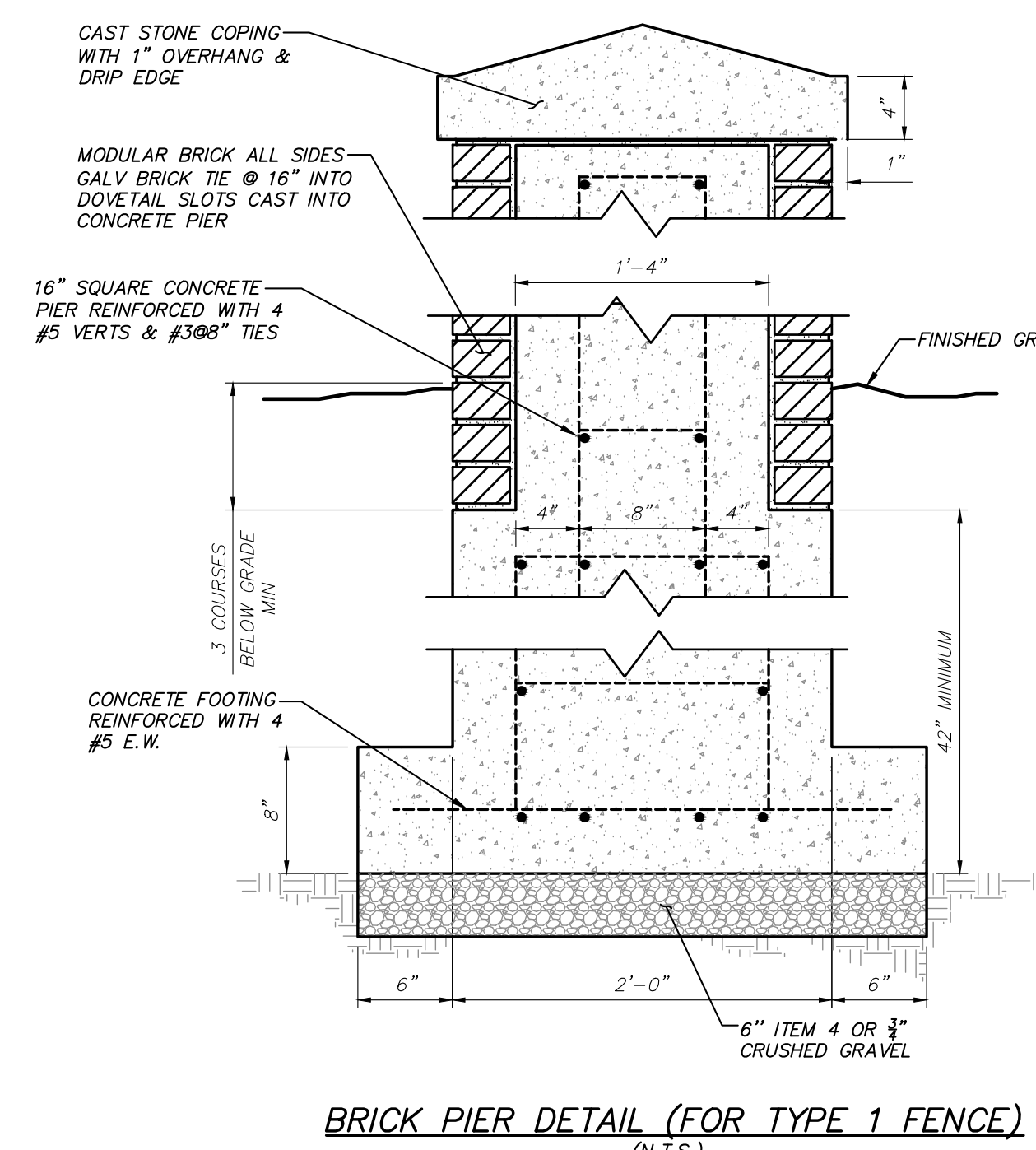
CIRCULAR PRECAST CONCRETE BENCH DETAIL
 USED IN CENTRAL COURTYARD
 (N.T.S.)

- Notes:**
- As produced by Crowd Control Warehouse or approved equal.
 - Color to be selected by YPS.

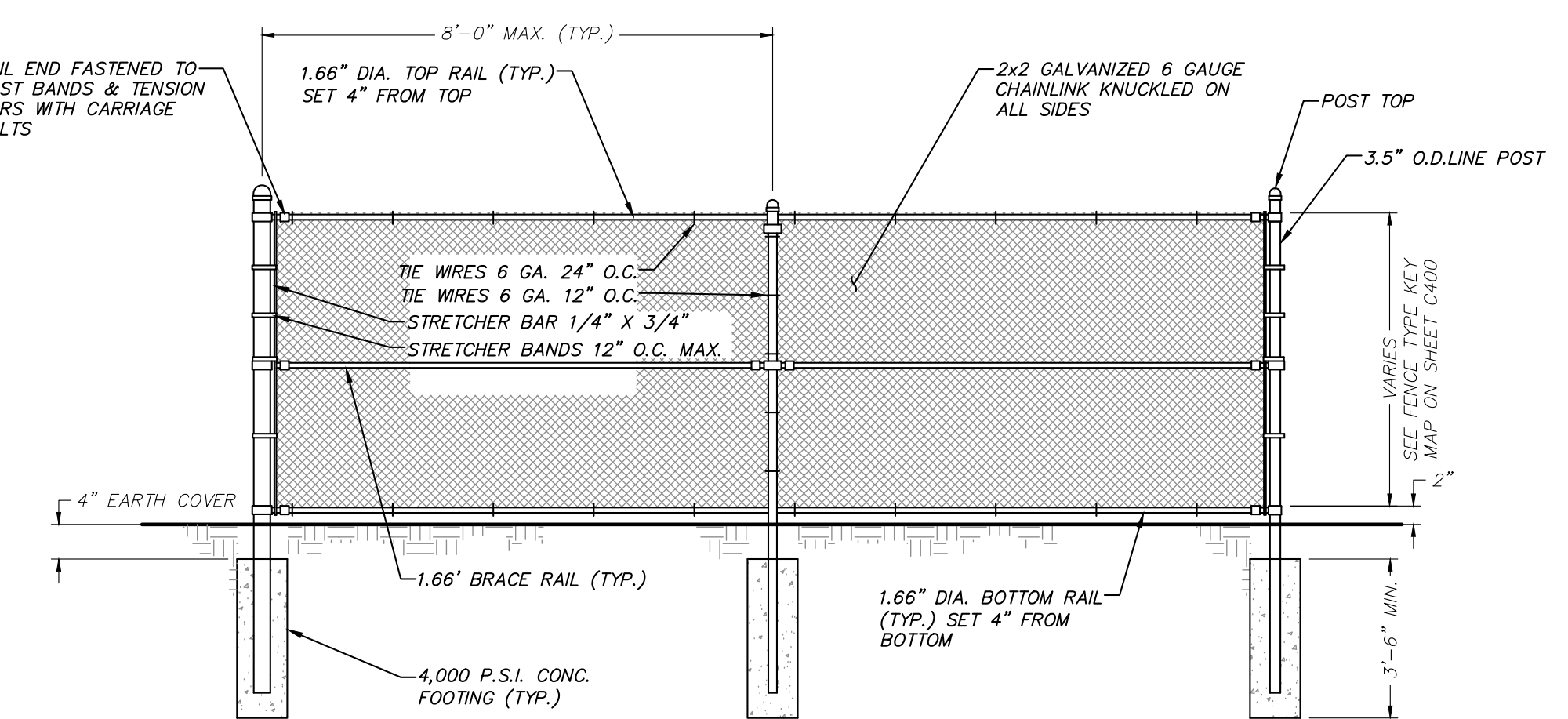


PICKET FENCE (TYPE 1) DETAIL
 (N.T.S.)

- NOTES:**
- FENCE AS PRODUCED BY AMERISTAR OR APPROVED EQUAL.
 - FENCES TO BE PAINTED BLACK.

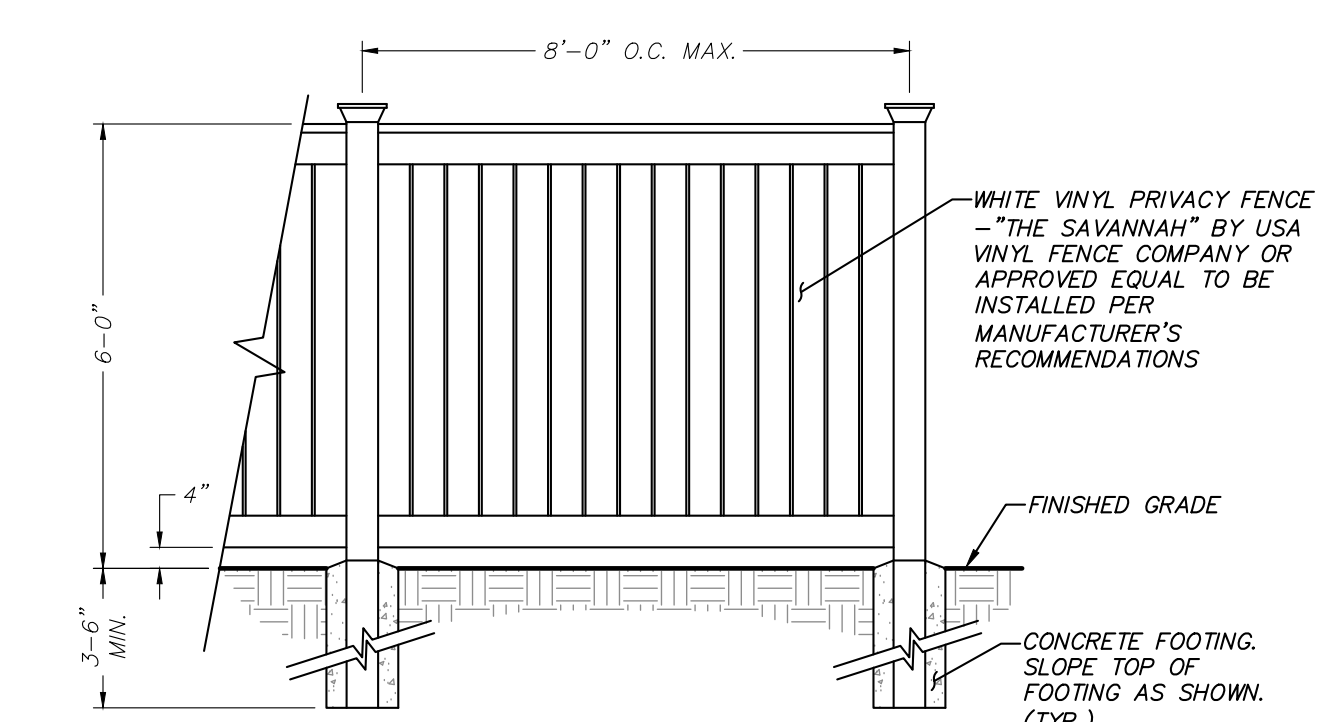


BRICK PIER DETAIL (FOR TYPE 1 FENCE)
 (N.T.S.)

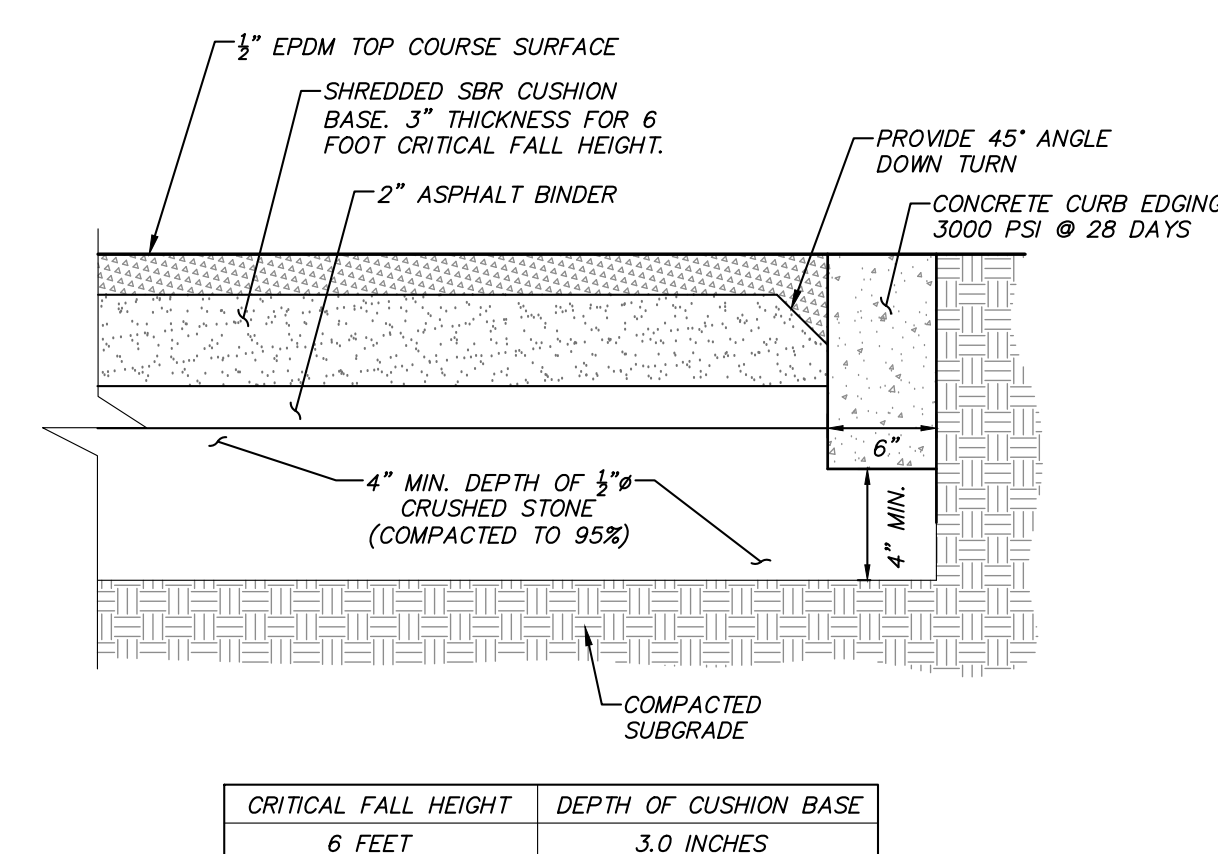


CHAIN LINK FENCE (TYPES 2, 3 & 4) DETAIL
 (N.T.S.)

- NOTES:**
- ALL POSTS, RAILS, CAPS, ENDS, STRAPS AND TENSION BARS SHALL BE GALVANIZED STEEL.
 - INTERMEDIATE HORIZONTAL RAIL SHALL BE REQUIRED FOR FENCES 6' OR HIGHER. DIAMETER SHALL BE 1.66".
 - GATE HINGES AND CAPS SHALL BE TACK WELDED TO POSTS.
 - FENCE TYPES 3 & 4 SHALL BE OUTFITTED WITH GREEN HEDGE SLATS. SLATS TO BE 6000 SERIES BY FENPRO OR APPROVED EQUAL.

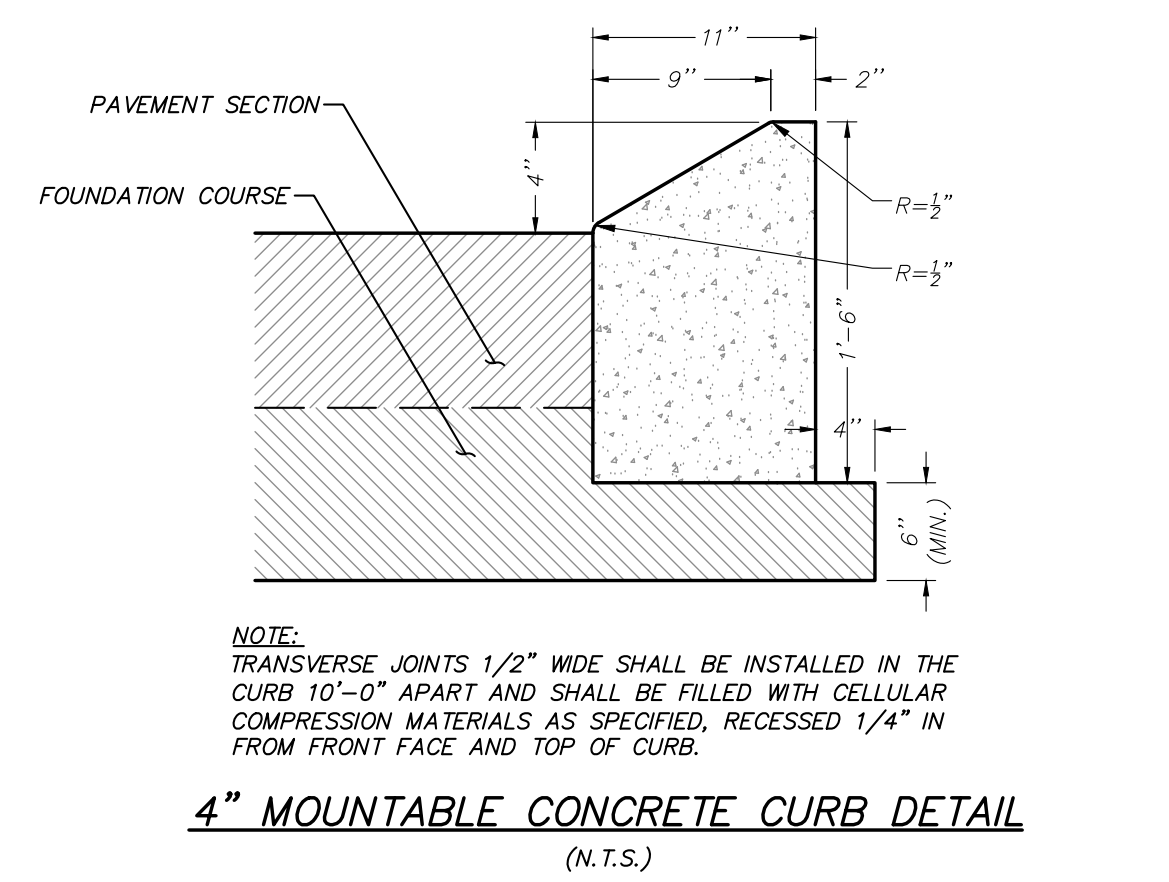


VINYL PRIVACY FENCE (TYPE 5) DETAIL
 (N.T.S.)



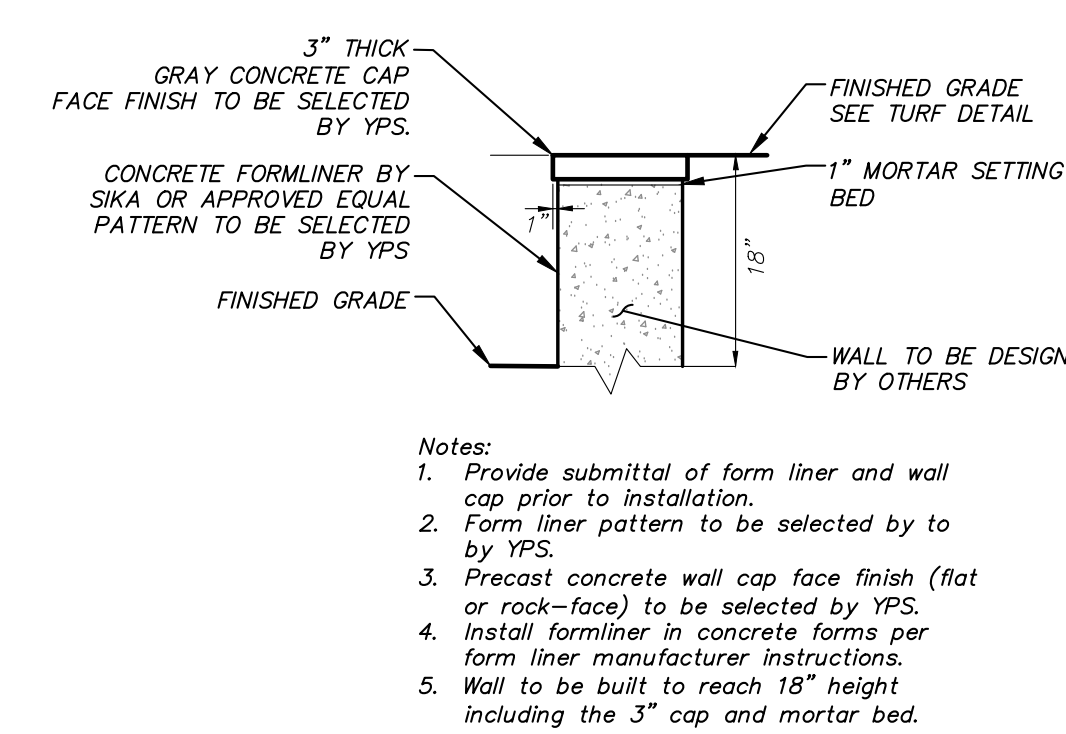
- NOTES:**
- POURED-IN-PLACE SURFACE SHALL BE SOFT FUSION MANUFACTURED BY A&D RECREATION, INC. (WAMARONECK, NEW YORK 914-381-5865) OR APPROVED EQUAL.
 - INSTALLATION TO BE COMPLETED IN ACCORDANCE WITH MANUFACTURER'S SPECIFICATIONS.
 - DO NOT SCALE DRAWINGS, FOR ILLUSTRATION PURPOSES ONLY.
 - POURED-IN-PLACE SAFETY SURFACE IS INSTALLED OVER A 2" ASPHALT BINDER BASE.
 - COLOR OF SOFT FUSION LAYER SHALL BE CHOSEN BY YPS.

POURED-IN-PLACE SURFACE
 FOR PLAYGROUND DETAIL
 (N.T.S.)



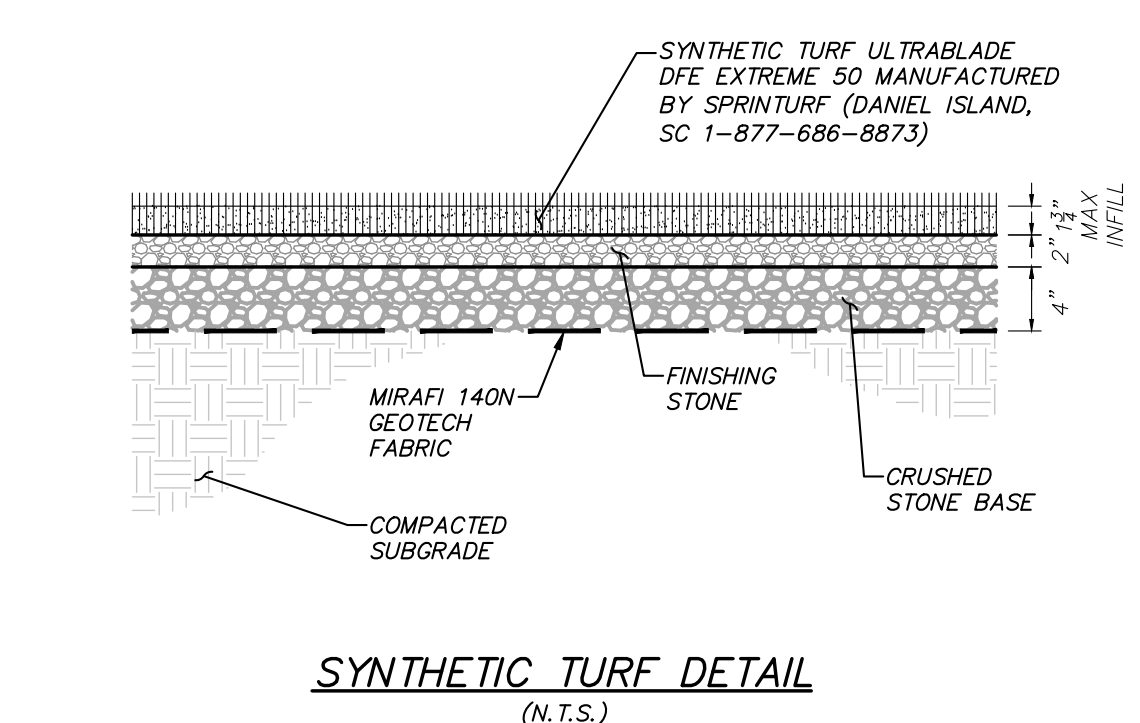
- NOTE:**
- TRANSVERSE JOINTS 1/2" WIDE SHALL BE INSTALLED IN THE CURB 10'-0" APART AND SHALL BE FILLED WITH CELLULAR COMPRESSION MATERIALS AS SPECIFIED, RECESSED 1/4" IN FROM FRONT FACE AND TOP OF CURB.

4" MOUNTABLE CONCRETE CURB DETAIL
 (N.T.S.)

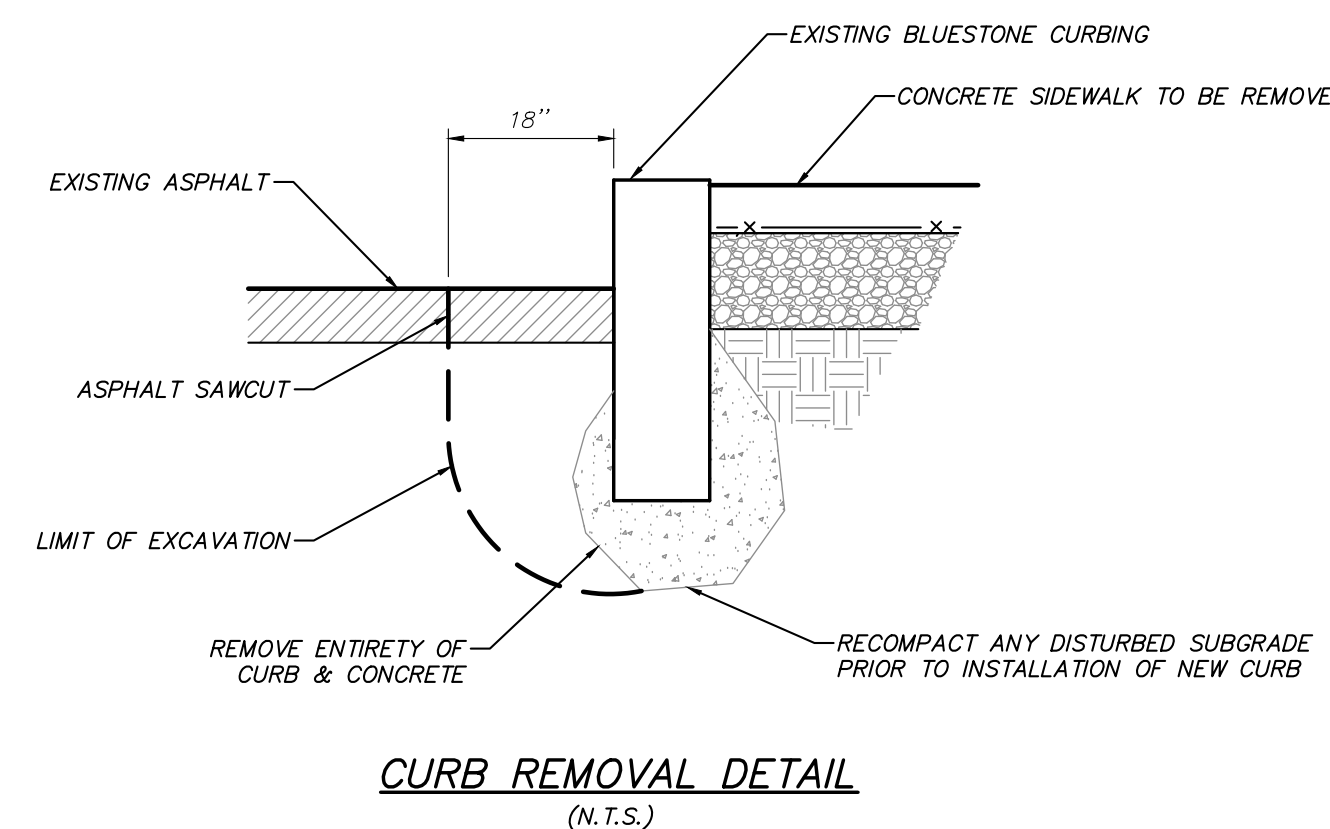


SEAT WALL FINISH DETAIL
 (N.T.S.)

- Notes:**
- Provide submittal of form liner and wall cap prior to installation.
 - Form liner pattern to be selected by YPS.
 - Precast concrete wall cap face finish (flat or rock-face) to be selected by YPS.
 - Install formliner in concrete forms per form liner manufacturer instructions.
 - Wall to be built to reach 18" height including the 3" cap and mortar bed.



SYNTHETIC TURF DETAIL
 (N.T.S.)



CURB REMOVAL DETAIL
 (N.T.S.)

NOTE: ALL DIMENSIONS, APPROVED EQUALS AND PLANS INDICATED OR REPRESENTED BY THIS DRAWING ARE OWNED BY AND ARE THE PROPERTY OF AMERISTAR, GARMENT & DAVENSON, INC. (A.G.D.) AND ARE NOT TO BE REPRODUCED, COPIED, OR TRANSMITTED IN ANY FORM OR BY ANY MEANS, ELECTRONIC OR MECHANICAL, INCLUDING PHOTOCOPYING, RECORDING, OR BY ANY INFORMATION STORAGE AND RETRIEVAL SYSTEM, WITHOUT THE WRITTEN PERMISSION OF AMERISTAR, GARMENT & DAVENSON, INC. (A.G.D.).

WRITTEN DIMENSIONS ON THIS DRAWING SHALL HAVE PRECEDENCE OVER UNLESS OTHERWISE SPECIFIED. CONTRACTOR SHALL VERIFY AND BE RESPONSIBLE FOR ALL DIMENSIONS AND CONDITIONS ON THE JOB AND THIS OFFICE MUST BE NOTICED OF ANY VARIATIONS FROM CONDITIONS AND CONDITIONS SHOWN BY THESE DRAWINGS. SHOP DETAILS MUST BE SUBMITTED TO THIS OFFICE FOR APPROVAL BEFORE PROCEEDING WITH FABRICATION.

LEGAL NOTICE: ALL TITLES BY ANY PERSON IN ANY WAY, OF ANY ITEM CONTAINED IN THIS DOCUMENT, UNLESS ACTING UNDER THE DIRECTION OF THE LICENSED ARCHITECT WHOSE PROFESSIONAL SEAL IS AFFIXED HERETO, IS IN VIOLATION OF TITLE 16, SECTION 16-100 OF NEW YORK STATE LAW.

© COPYRIGHT KAEYER, GARMENT & DAVENSON, PC
 ALL RIGHTS RESERVED.

Professional Seal



Date	Issue
11/01/2021	ISSUE FOR BID
08/24/2021	NYSed ADDENDUM 1
07/14/2021	CONST. DOCS - FOR NYSed
12/15/2020	DESIGN DEVELOPMENT
08/31/2020	SCHEMATIC DESIGN

Sheet Title

DETAILS

Job No.	Date
2018-1071	8/30/2020

Scale	Drawn / Checked
AS SHOWN	MEU/AT

Sheet No.

C400