

NEW COMMUNITY SCHOOL 35 AT ST DENIS SITE

YONKERS JOINT SCHOOLS
CONSTRUCTION BOARD
121 McLean Avenue
Yonkers, NY 10705

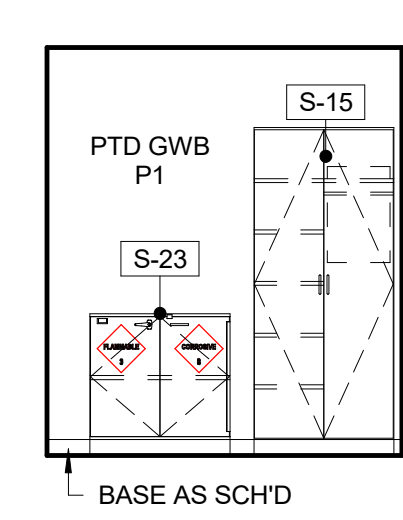


NY SED PROJECT CONTROL NO.
66-23-00-01-0-346-001

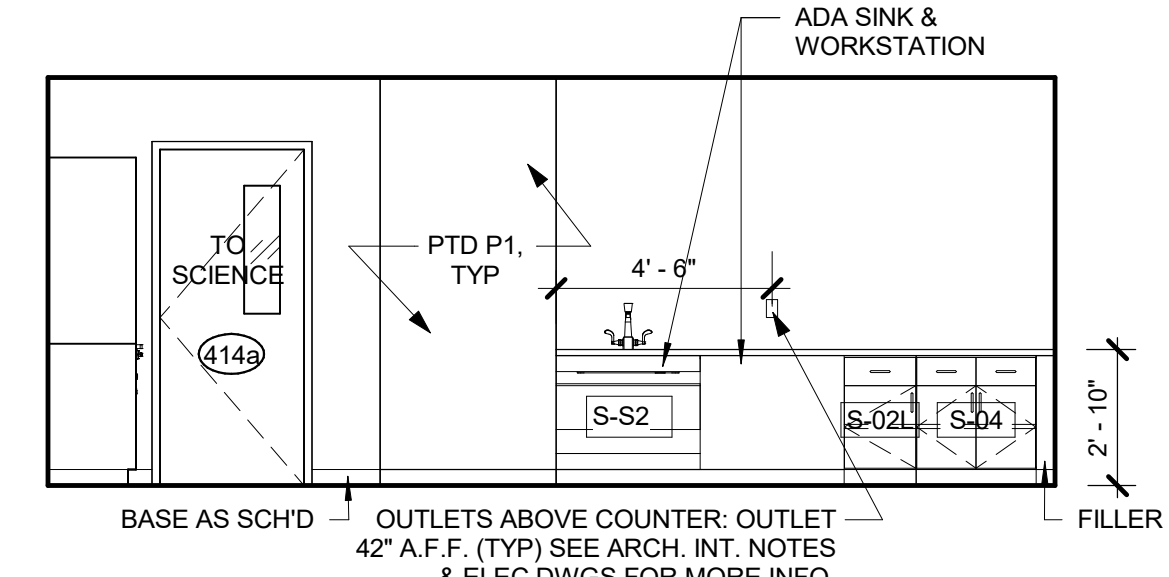
CONSTRUCTION DOCUMENTS

INTERIORS NOTES:

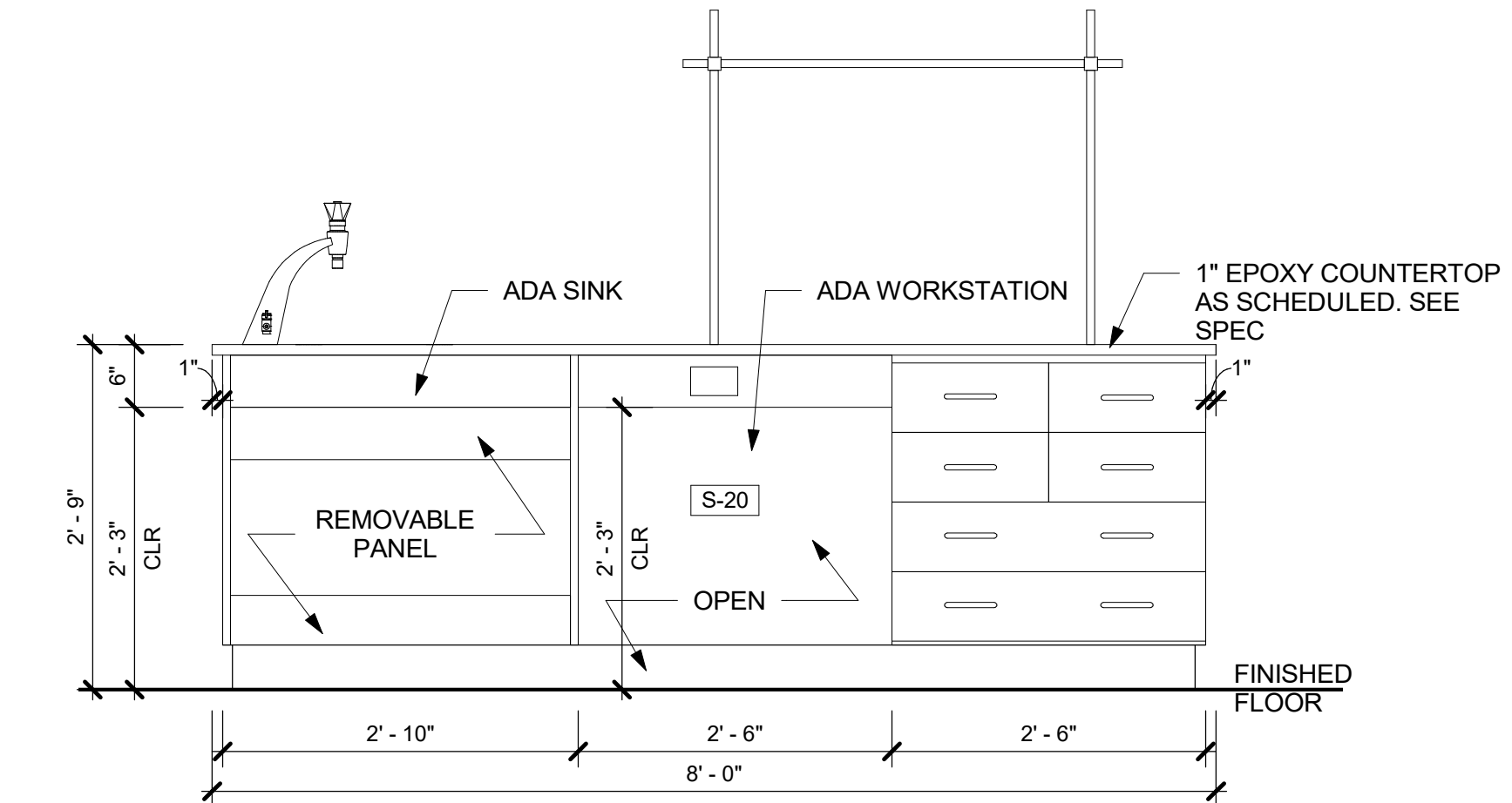
- NOTE ADD ALTERNATE - CASEWORK / MILLWORK / GYM EQUIPMENT ITEMS WITHIN THIS ADD ALTERNATE ARE NOT PART OF BASE BID. REVIEW FURTHER INFORMATION IN SPEC.
- MT DENOTES MONITOR, WALL-MOUNTED AV EQUIPMENT (DISPLAY MONITOR) BY OWNER. GC TO PROVIDE REQUIRED BLOCKING. COORDINATE FINAL LOCATION WITH OWNER'S AV VENDOR & ARCHITECT
- WB DENOTES WHITEBOARD
- TB DENOTES TACK BOARD, SEE SPEC SECTION 101100
- DB DENOTES DIVERSIBOARD PRODUCT, SEE SPEC SECTION 101100 FOR MORE INFO.
- DF DENOTES DRINKING FOUNTAIN
- ALL EXTERIOR CORNERS OF WALL TILE TO HAVE SCHLUTER EDGES
- UNLESS OTHERWISE NOTED, ELECTRICAL OUTLETS & DATA OUTLETS ARE TO BE 18" (1'-6") ON CENTER A.F.F., TYPICAL. EXCEPTION: ALL OUTLETS AT COUNTERS ARE TO BE 42" (3'-6") A.F.F. TO THE BOTTOM OF THE OUTLET PLATE, TYP. SEE ELECTRICAL FOR MORE INFORMATION.



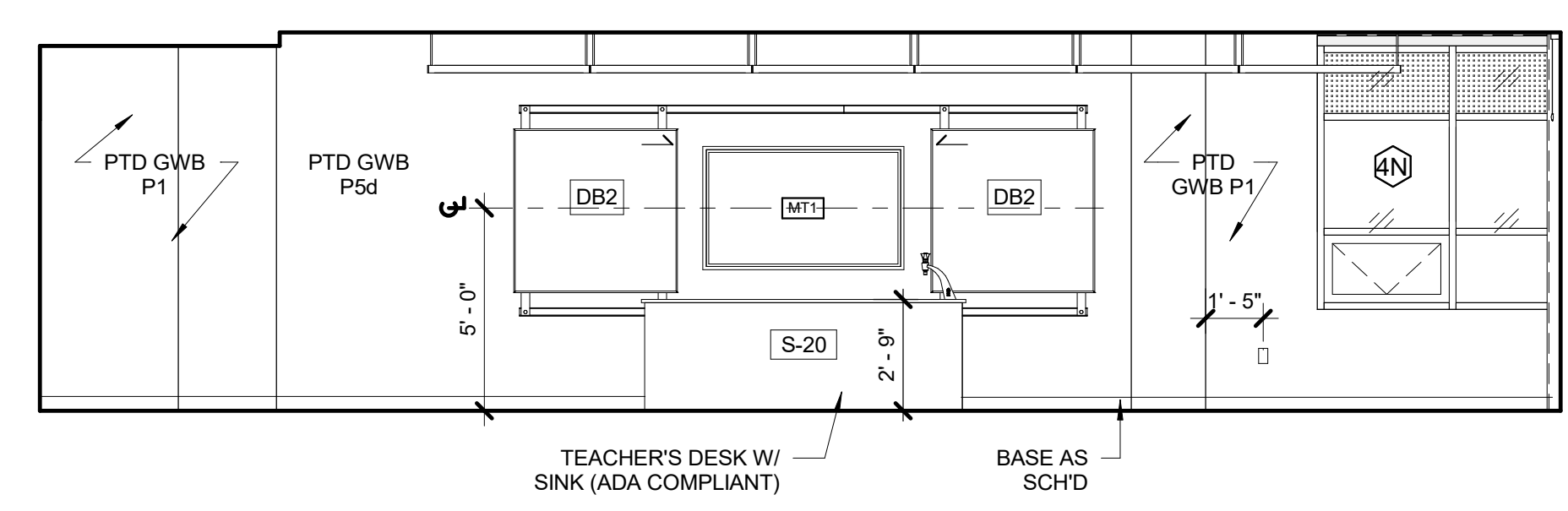
7 PREP ROOM - NORTH ELEV
1/4" = 1'-0"



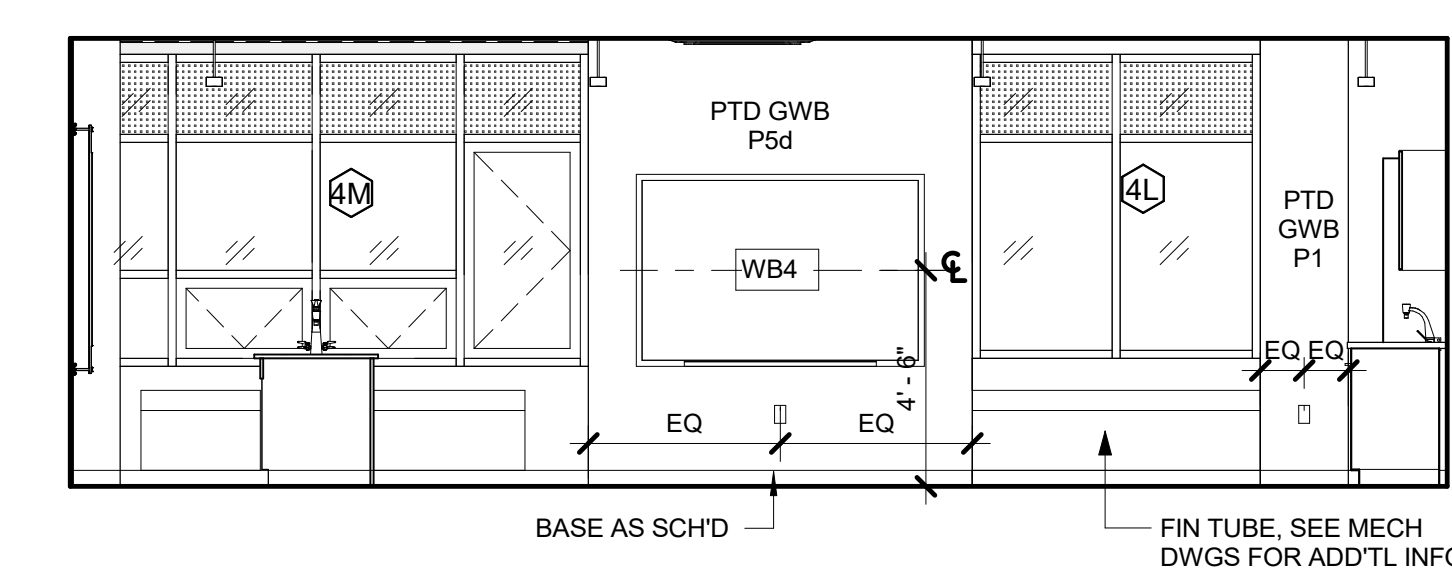
6 PREP ROOM - EAST ELEV
1/4" = 1'-0"



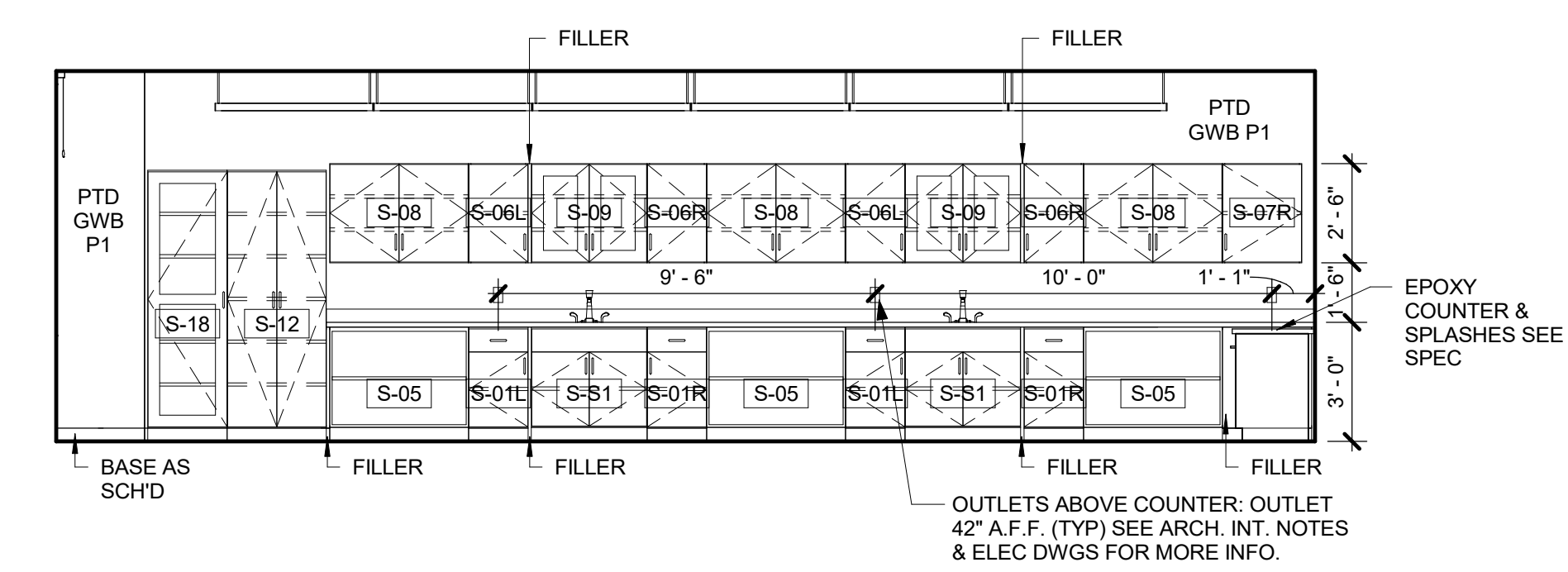
9 DEMO TABLE (S-20) - FRONT ELEVATION
(SEE SPEC)
3/4" = 1'-0"



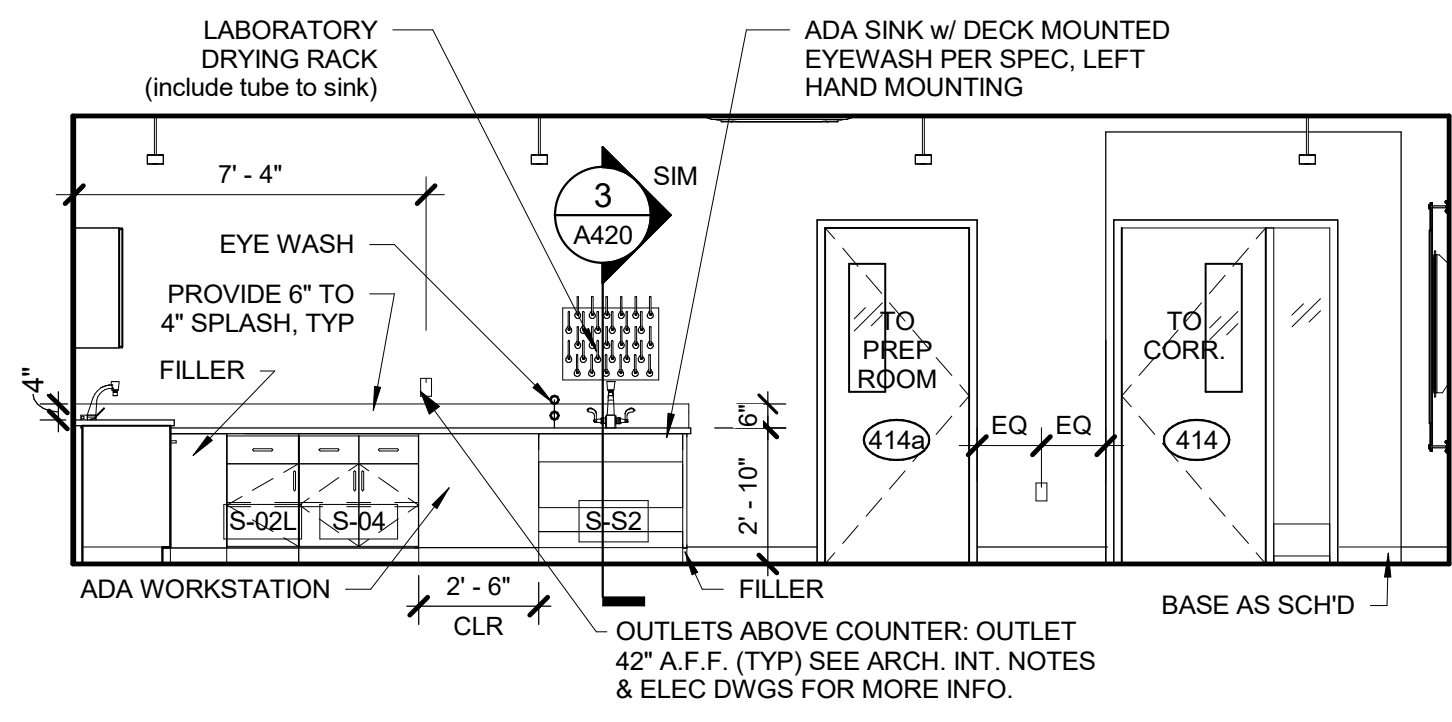
5 SCIENCE CLASSROOM - NORTH ELEV
1/4" = 1'-0"



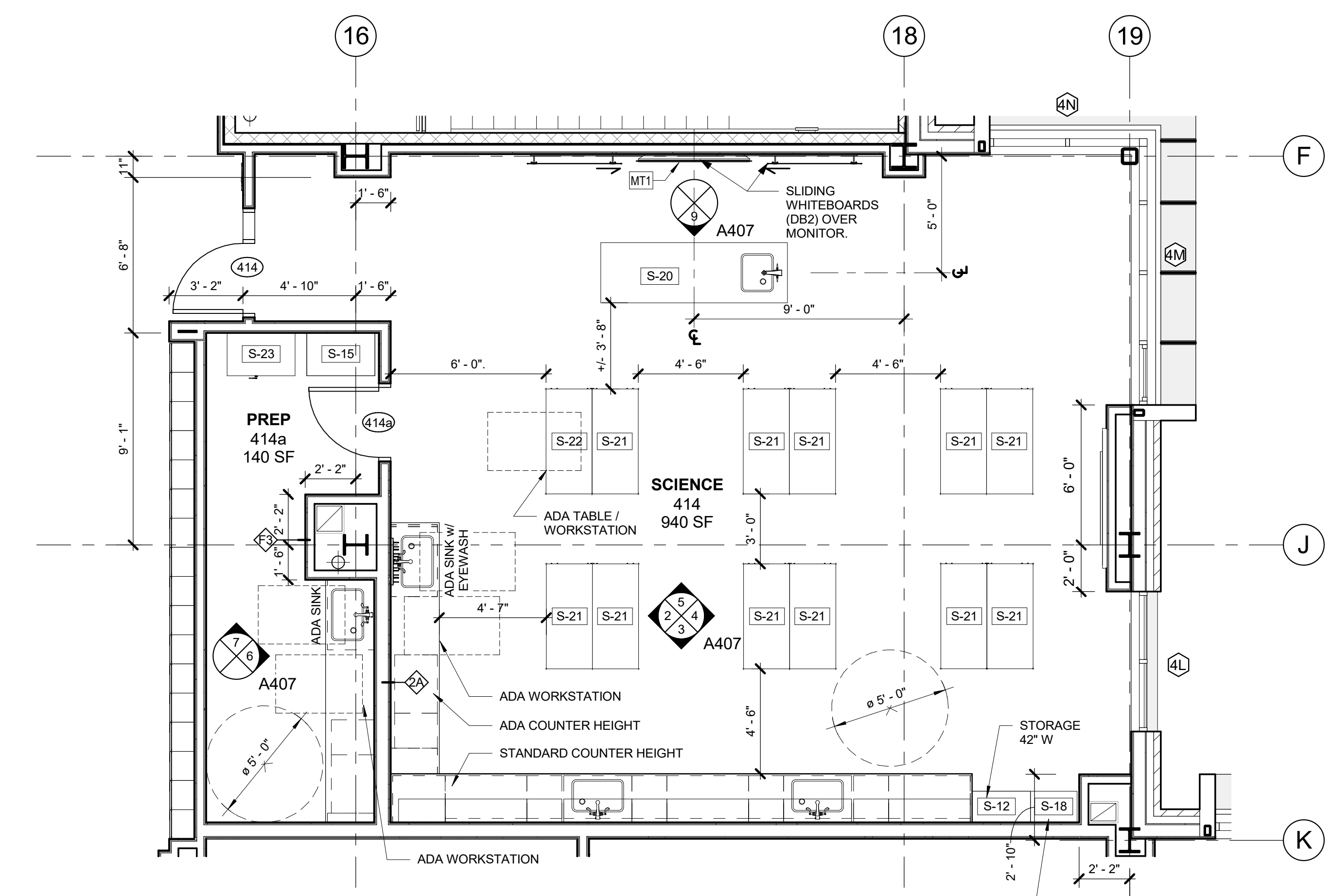
4 SCIENCE CLASSROOM - EAST ELEV
1/4" = 1'-0"



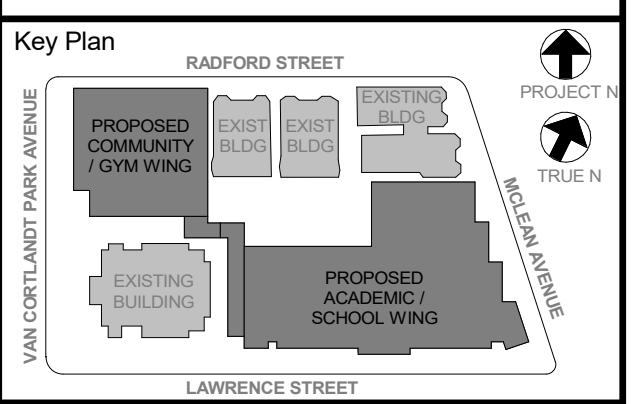
3 SCIENCE CLASSROOM - SOUTH ELEV
1/4" = 1'-0"



2 SCIENCE CLASSROOM - WEST ELEV
1/4" = 1'-0"



1 ENLARGED PLAN - SCIENCE CLASSROOM
1/4" = 1'-0"



NOTE: ALL LOCAL LEGAL REQUIREMENTS ARE PLACED AND INDICATED OR REPRESENTED BY THIS DRAWING ARE OWNED BY AND ARE THE PROPERTY OF HOKER GARRETT & ASSOCIATES ARCHITECTS, P.C. HEREIN CREATED FOR USE ON THIS PROJECT. NONE OF SUCH LEGAL DESIGNS, ARRANGEMENTS OR PLANS SHALL BE USED BY OR DISCLOSED TO ANY PURPOSE WHATSOEVER WITHOUT THE WRITTEN PERMISSION OF HOKER GARRETT & ASSOCIATES ARCHITECTS, P.C.

WRITTEN DIMENSIONS ON THIS DRAWING SHALL PRECEDE OVER SCALED DIMENSIONS. CONTRACTOR SHALL VERIFY ALL ACTUAL DIMENSIONS AND CONDITIONS ON THE JOB AND THE ARCHITECT MUST BE NOTIFIED OF ANY VARIATIONS FROM DIMENSIONS AND CONDITIONS SHOWN. ANY RETAIL MUST BE SUBMITTED TO THIS OFFICE FOR APPROVAL BEFORE PROCEEDING WITH FABRICATION.

ALTERATIONS BY ANY PERSON IN ANY WAY OF ANY ITEM CONTAINED ON THIS DOCUMENT, UNLESS ACTING UNDER THE DIRECTION OF THE LICENSED ARCHITECT, ENGINEER, PROFESSIONAL DESIGNER OR ARCHITECT, SHALL BE A VIOLATION OF COPYRIGHT LAWS. HOKER GARRETT & ASSOCIATES ARCHITECTS, P.C. IS NOT RESPONSIBLE.

Professional Seal

No.	Date	Issue
5	11/01/2021	ISSUE FOR BID
4	08/24/2021	NYS ED ADDENDUM 1
3	07/14/2021	CONSTRUCTION DOCS - NYS ED
2	12/15/2020	DESIGN DEVELOPMENT

Sheet Title
SCIENCE ROOM ENLARGED PLAN & ELEVATIONS

Job No. 2019-1026 Date 12/15/2020
Scale AS NOTED Drawn / Checked --

Sheet Number
A407