

NOTE: ALL LOCAL DESIGN REQUIREMENTS ARE PLANNED AND INDICATED OR REPRESENTED BY THIS DRAWING AND ARE THE PROPERTY OF THE CLIENT. ANY CHANGES TO THIS DRAWING ARE THE PROPERTY OF THE CLIENT. THE ARCHITECT SHALL BE NOTIFIED OF ANY CHANGES TO THIS DRAWING AND CONDITIONS OF ANY CHANGES FROM DIMENSIONS AND CONDITIONS SHOWN HEREON MUST BE SUBMITTED TO THIS OFFICE FOR APPROVAL BEFORE PROCEEDING WITH FABRICATION.  
ITERATIONS BY ANY PERSON IN ANY WAY OF ANY ITEM CONTAINED ON THIS DOCUMENT, UNLESS ACTING UNDER THE DIRECTION OF THE LICENSED ARCHITECT, SHALL BE THE PROPERTY OF THE ARCHITECT. THE ARCHITECT SHALL BE NOTIFIED OF ANY CHANGES TO THIS DRAWING AND CONDITIONS OF ANY CHANGES FROM DIMENSIONS AND CONDITIONS SHOWN HEREON MUST BE SUBMITTED TO THIS OFFICE FOR APPROVAL BEFORE PROCEEDING WITH FABRICATION.  
ALL DIMENSIONS ON THIS DRAWING SHALL HAVE PRECEDENCE OVER DIMENSIONS ON ANY OTHER DRAWING. THE ARCHITECT SHALL BE NOTIFIED OF ANY CHANGES TO THIS DRAWING AND CONDITIONS OF ANY CHANGES FROM DIMENSIONS AND CONDITIONS SHOWN HEREON MUST BE SUBMITTED TO THIS OFFICE FOR APPROVAL BEFORE PROCEEDING WITH FABRICATION.  
THIS DRAWING IS THE PROPERTY OF KG+D ARCHITECTS, PC. IT IS TO BE USED ONLY FOR THE PROJECT AND SITE SPECIFICALLY IDENTIFIED HEREON. IT IS NOT TO BE REPRODUCED, COPIED, OR TRANSMITTED IN ANY FORM OR BY ANY MEANS, ELECTRONIC OR MECHANICAL, INCLUDING PHOTOCOPYING, RECORDING, OR BY ANY INFORMATION STORAGE AND RETRIEVAL SYSTEM, WITHOUT THE WRITTEN PERMISSION OF KG+D ARCHITECTS, PC.

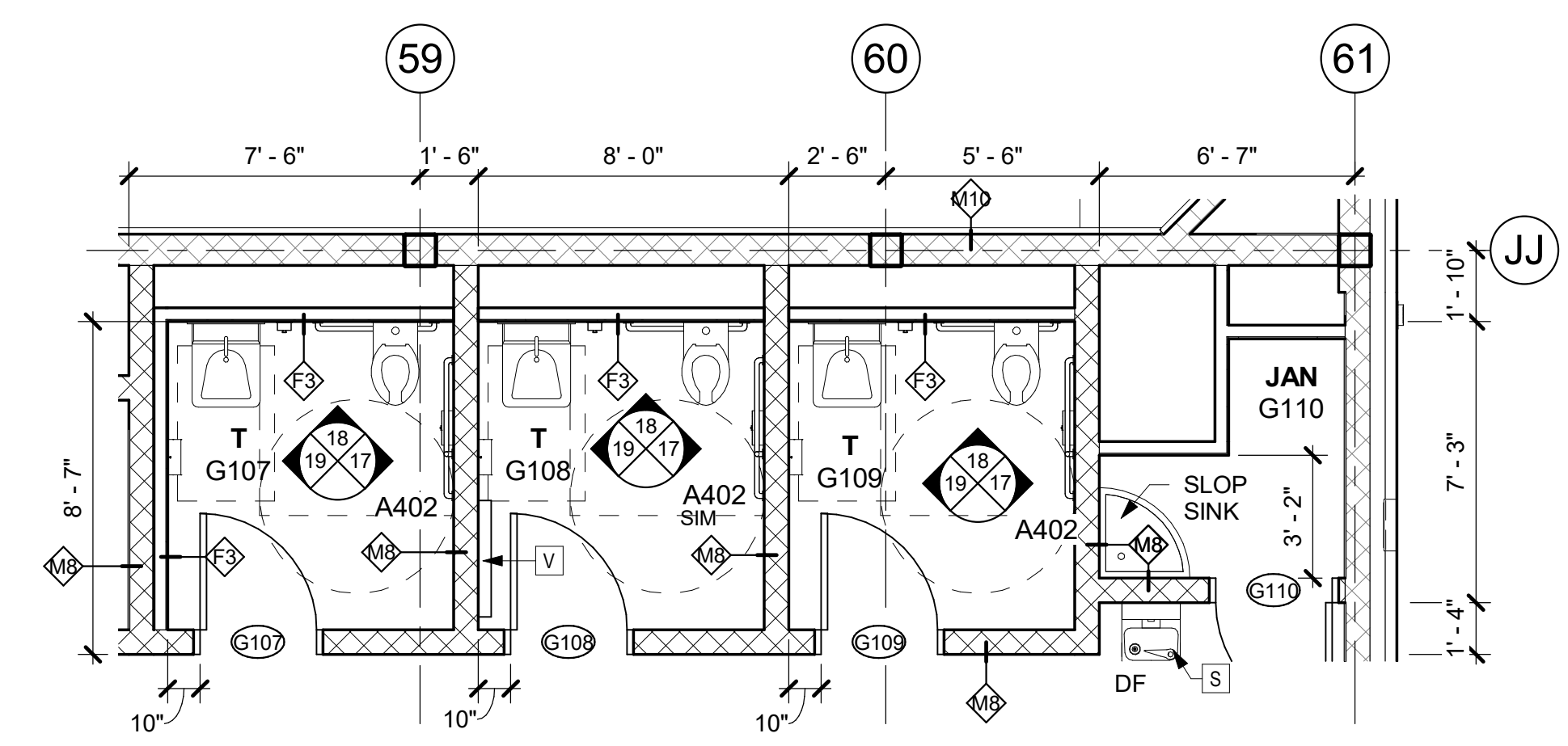
Professional Seal

5	11/01/2021	ISSUE FOR BID
4	08/24/2021	NYSED ADDENDUM 1
3	07/14/2021	CONSTRUCTION DOCS - NYSED
2	12/15/2020	DESIGN DEVELOPMENT
No.	Date	Issue

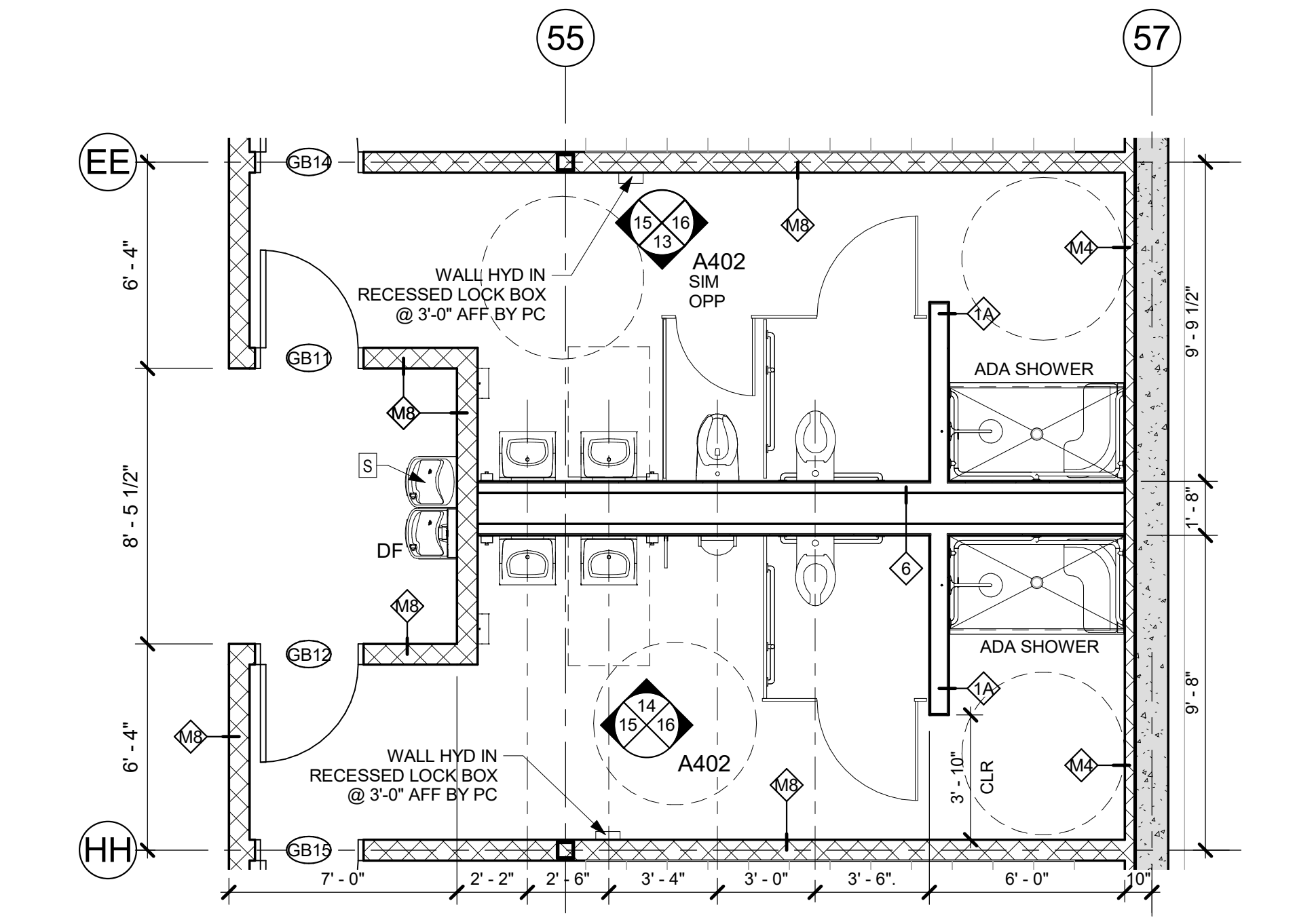
**TOILET ROOM PLANS & ELEVATIONS**

Job No.	2019-1026	Date	12/15/2020
Scale	AS NOTED	Drawn / Checked	-/-

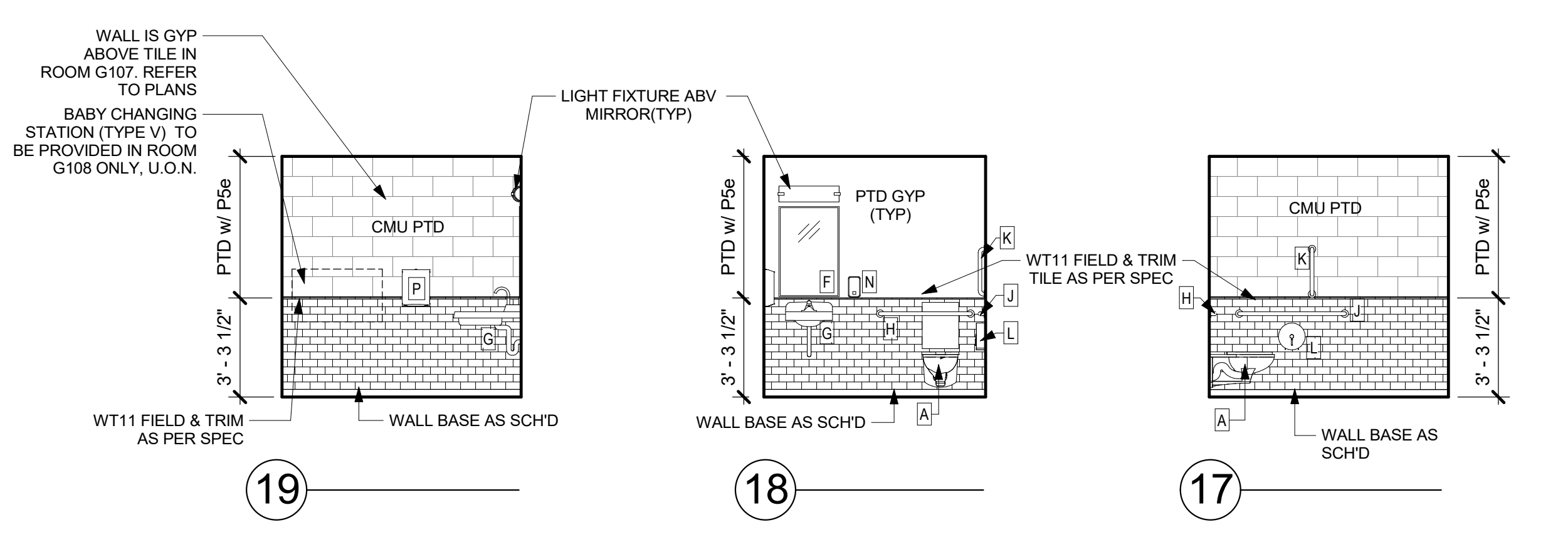
Sheet Number  
**A402**



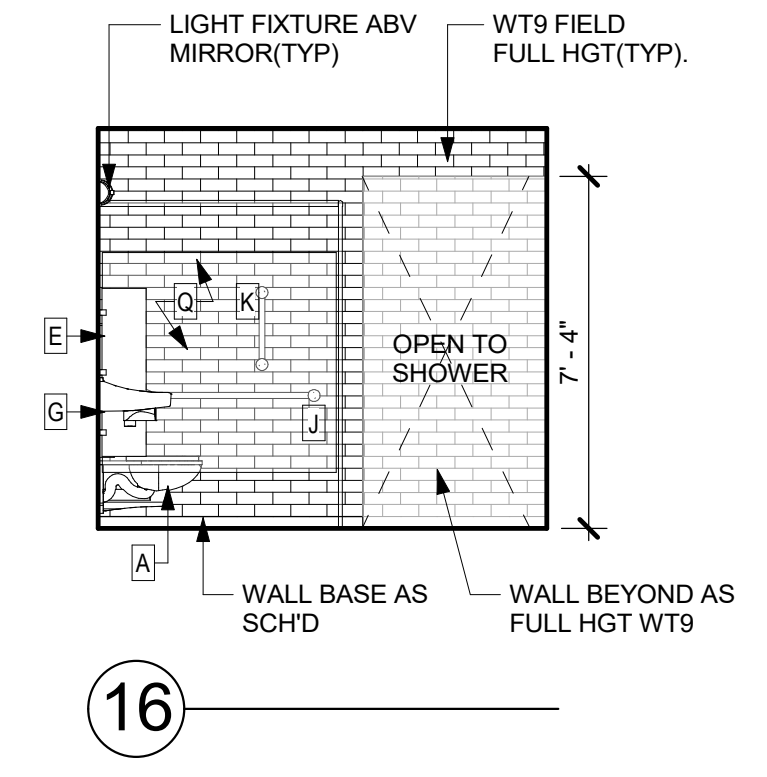
**5 COMMUNITY WING SINGLE USER TOILET ROOMS**  
1/4" = 1'-0"



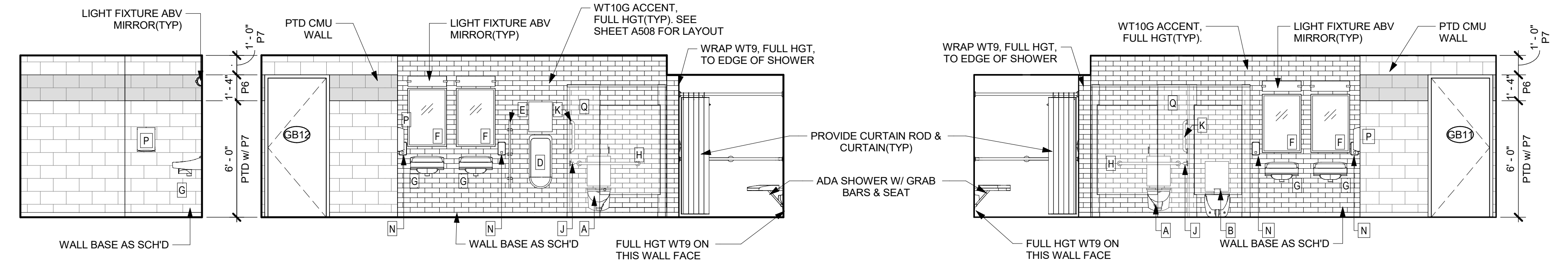
**3 COMMUNITY WING MULTI-USER TOILET ROOMS**  
1/4" = 1'-0"



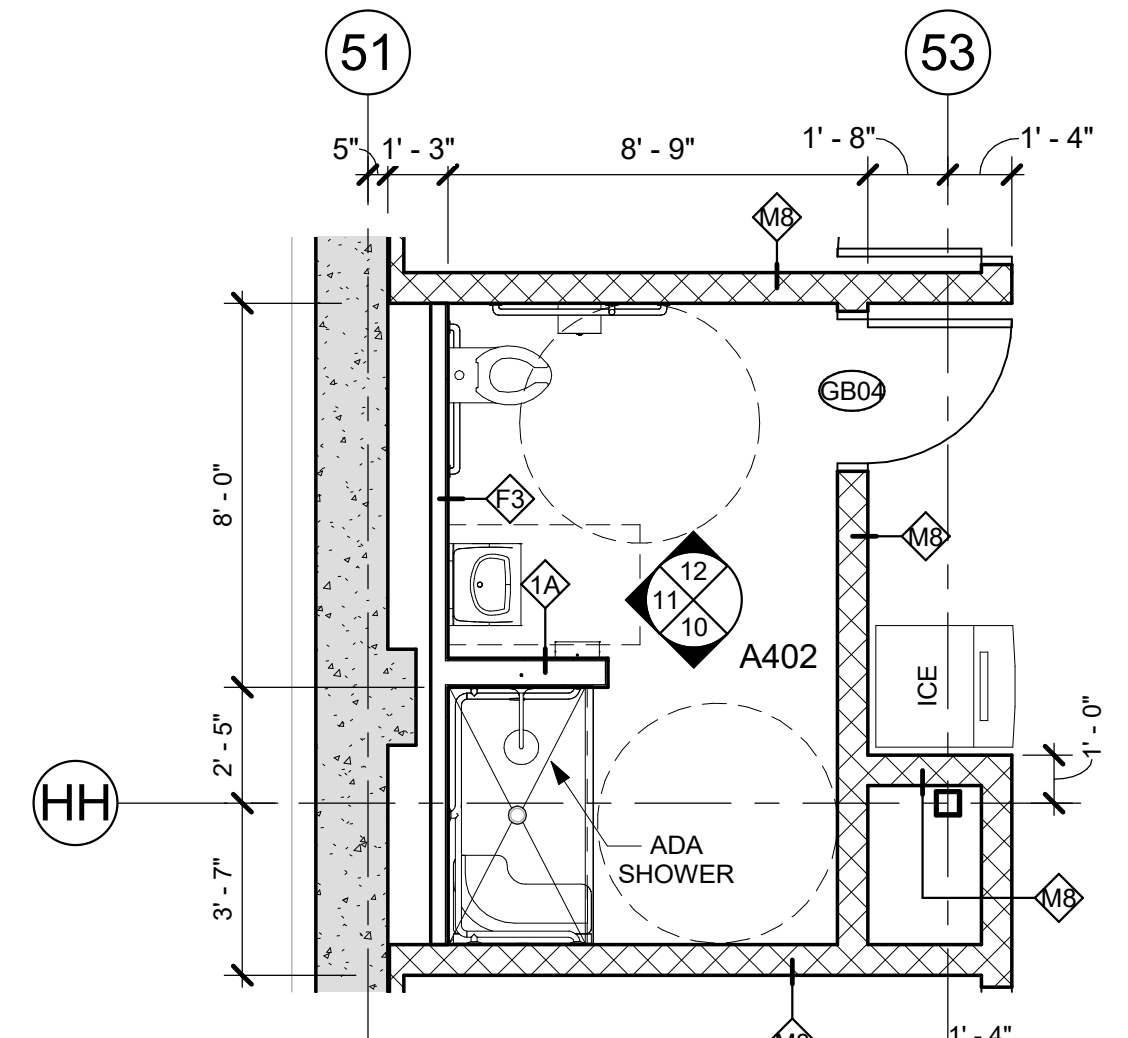
**17**  
**18**  
**19**



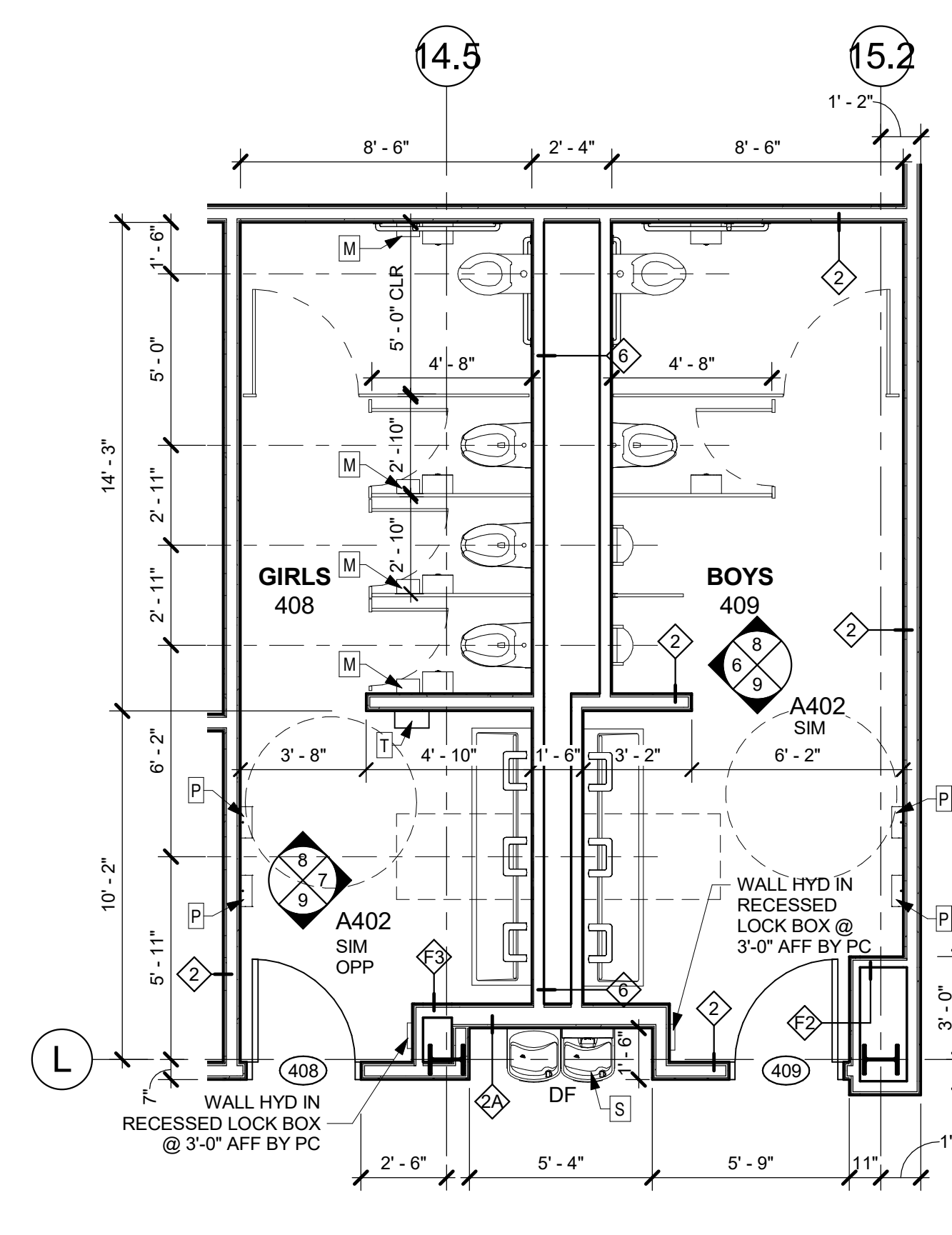
**16**



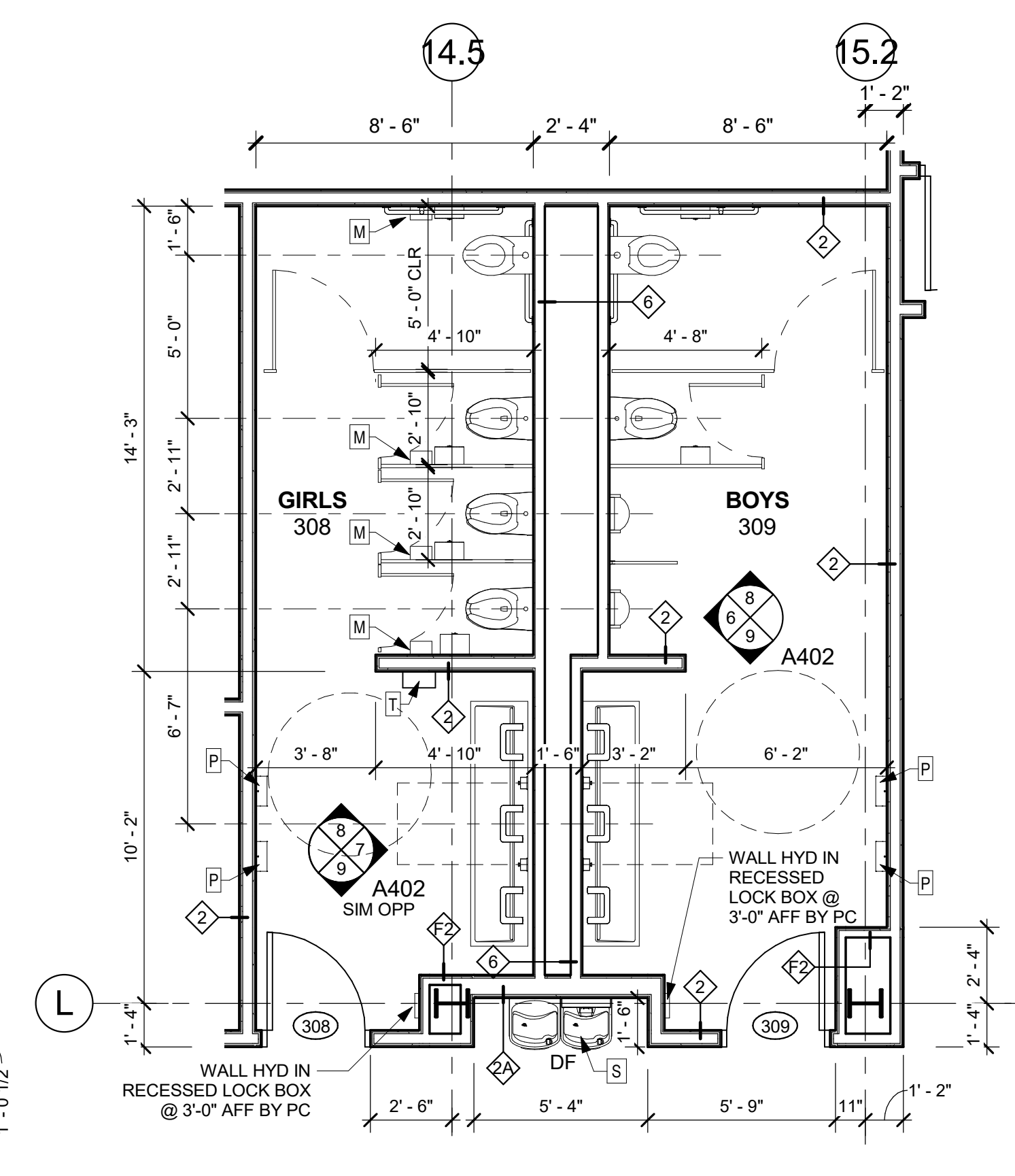
**13**  
**14**  
**15**



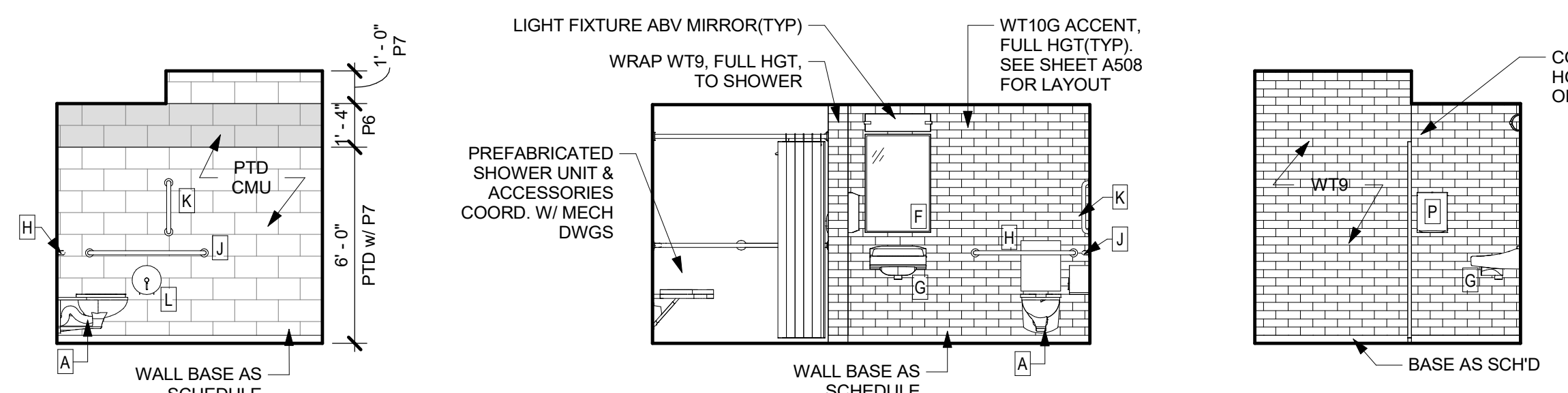
**4 TOILET RM (GB04) - PLAN**  
1/4" = 1'-0"



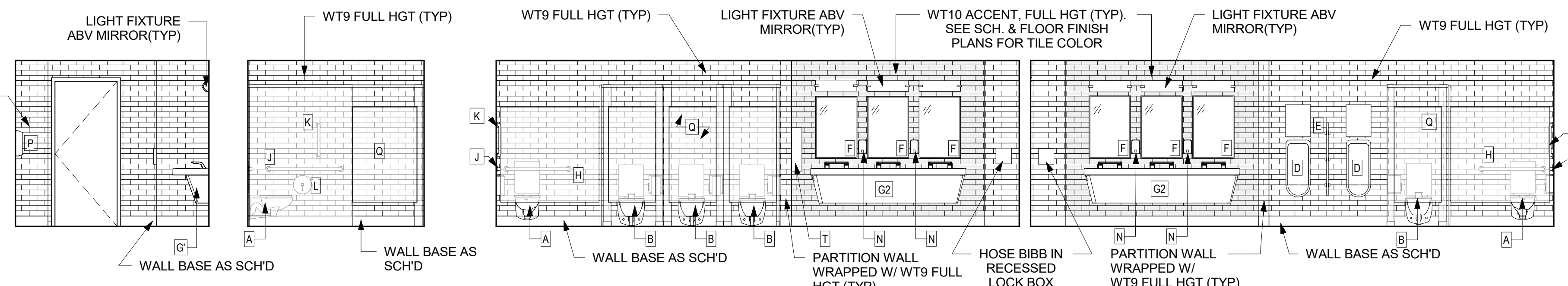
**2 4th FL MULTI-USER TOILET RM - PLAN**  
1/4" = 1'-0"



**1 3rd FL MULTI-USER TOILET RM - PLAN**  
1/4" = 1'-0"



**10**  
**11**  
**12**



**6**  
**7**  
**8**  
**9**

**\*\*REFER TO TOILET EQUIPMENT SCHEDULE ON A401 FOR FIXTURE ACCESSORIES.**