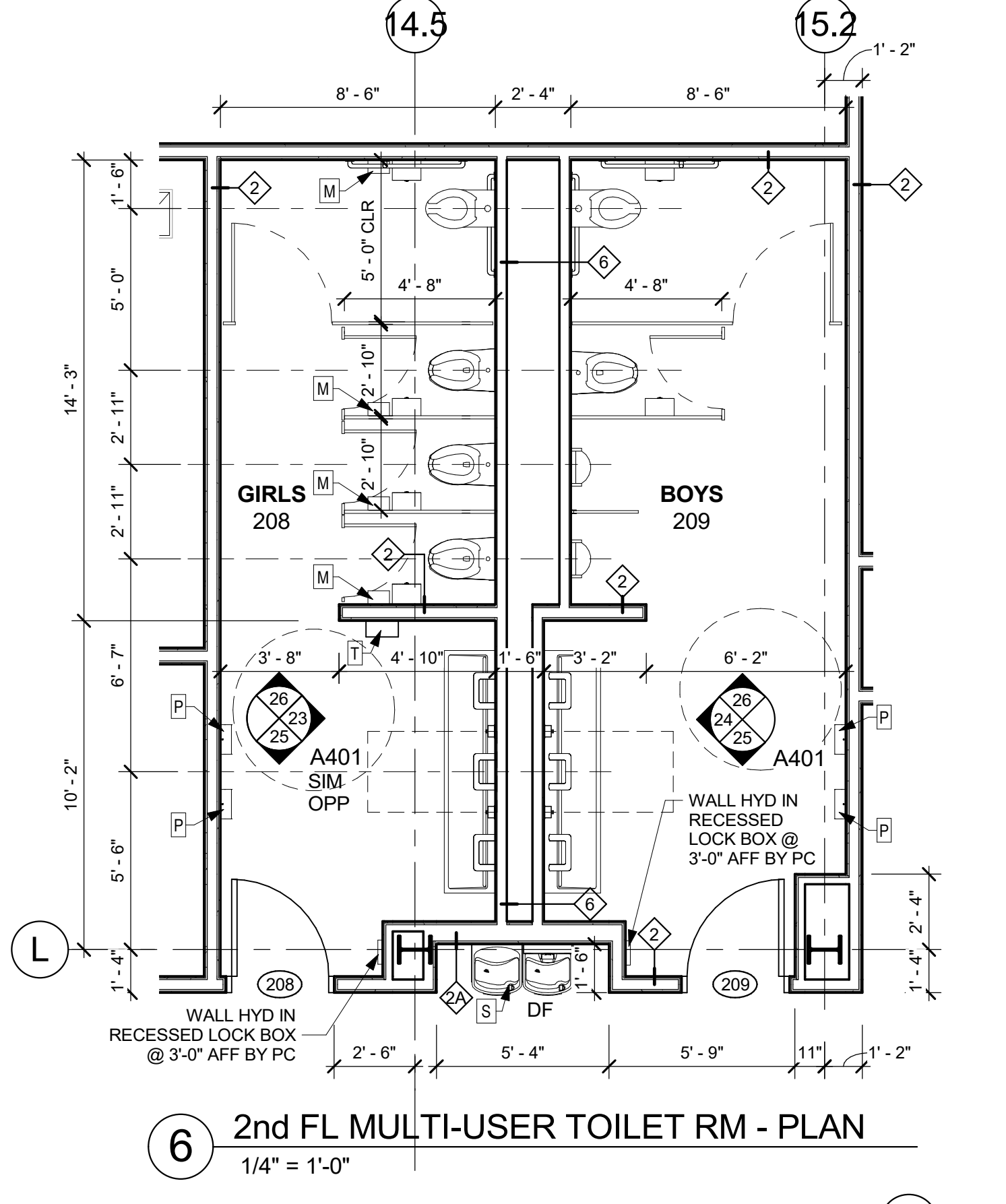
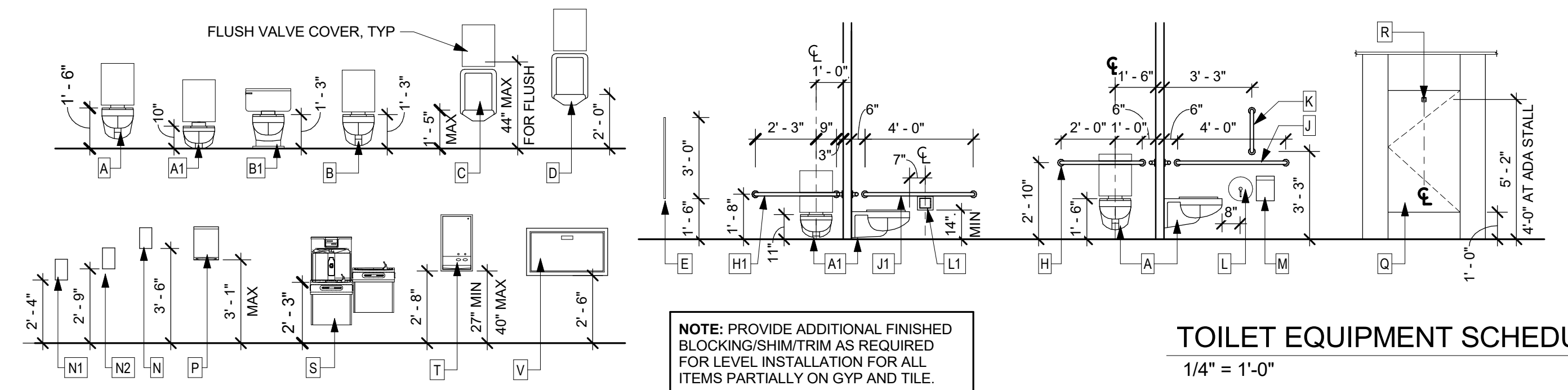
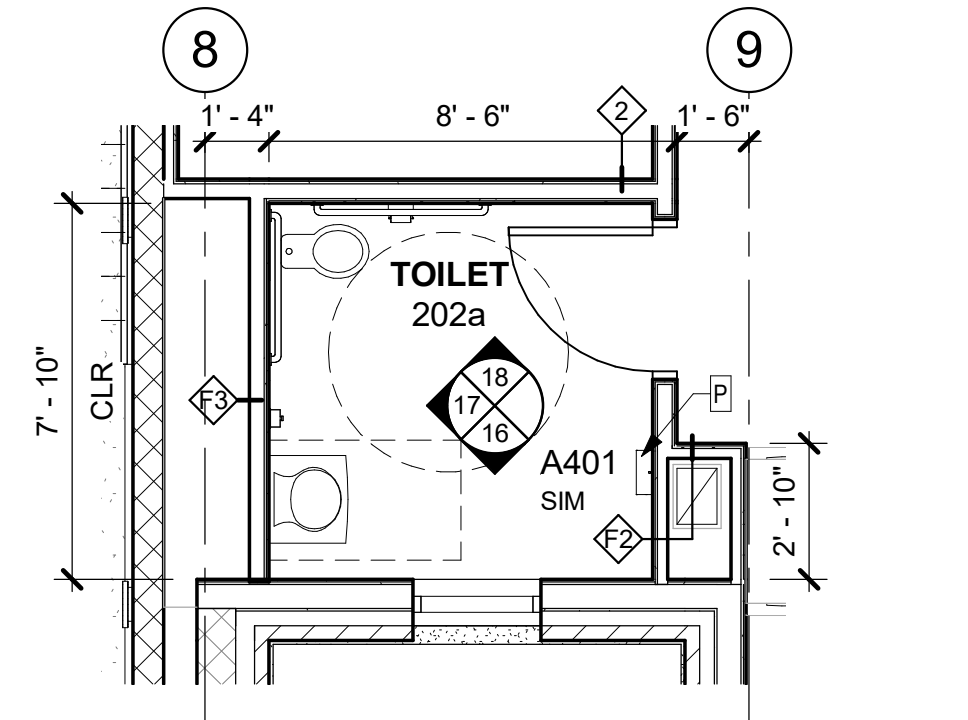


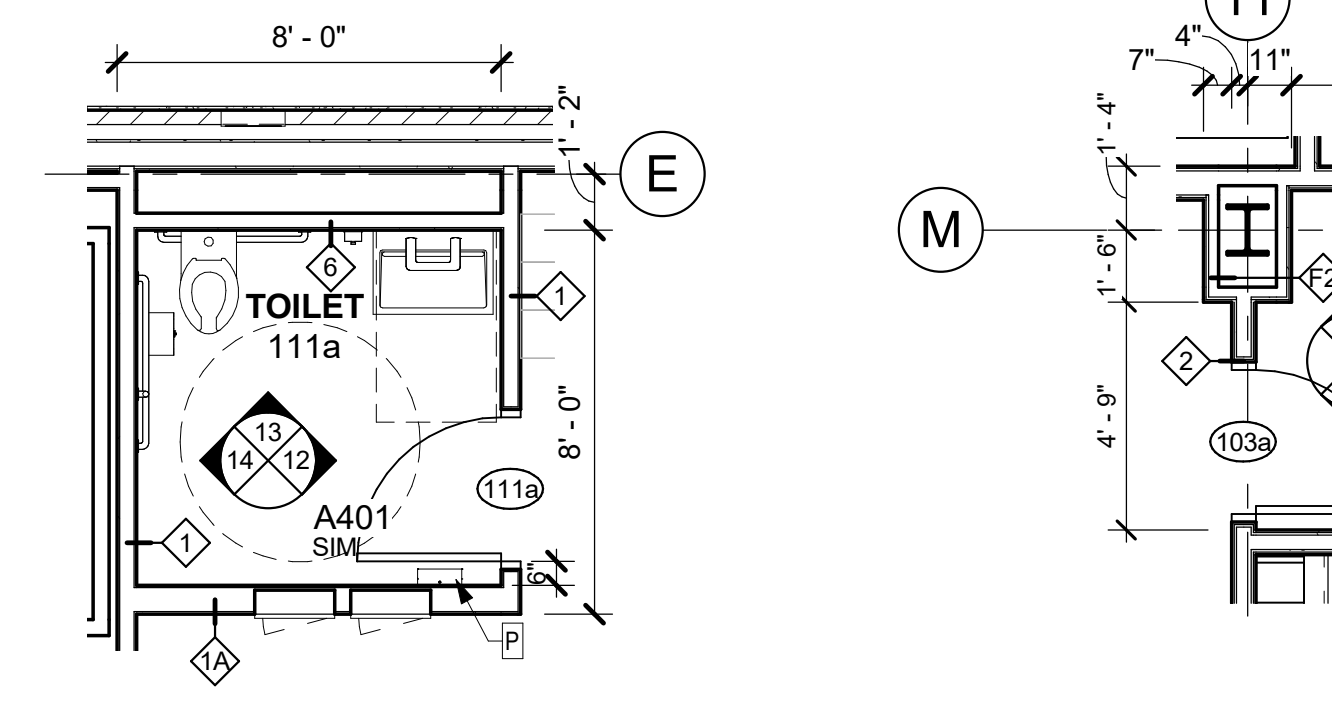
- | | | | |
|----------------------------------|-------------------------------|--|--|
| A ADA WALL-HUNG TOILET | E URINAL SCREEN | G2 ADA STANDARD HEIGHT MULTI-USER LAVATORY | L TOILET PAPER ROLL DISPENSER |
| A1 CHILD FLOOR MOUNTED TOILET | F WALL MIRROR w/ FRAME | H REAR TOILET GRAB BAR | LI CHILD TOILET PAPER ROLL DISPENSER |
| B STANDARD WALL-HUNG TOILET | F1 CHILD WALL MIRROR w/ FRAME | HI CHILD REAR TOILET GRAB BAR | M SANITARY DISPOSAL (ONLY IN GIRLS ROOM) |
| B1 STANDARD FLOOR MOUNTED TOILET | G LAVATORY | J SIDE TOILET GRAB BAR | N LIQUID SOAP DISPENSER |
| C CHILD & ADA WALL-HUNG URINAL | G1 CHILD LAVATORY | J1 CHILD SIDE TOILET GRAB BAR | N1/12 CHILD LIQUID SOAP DISPENSER |
| D STANDARD WALL-HUNG URINAL | G1 CHILD MULTI-USER LAVATORY | K SIDE TOILET VERTICAL GRAB BAR | P HAND TOWEL ROLL DISPENSER |



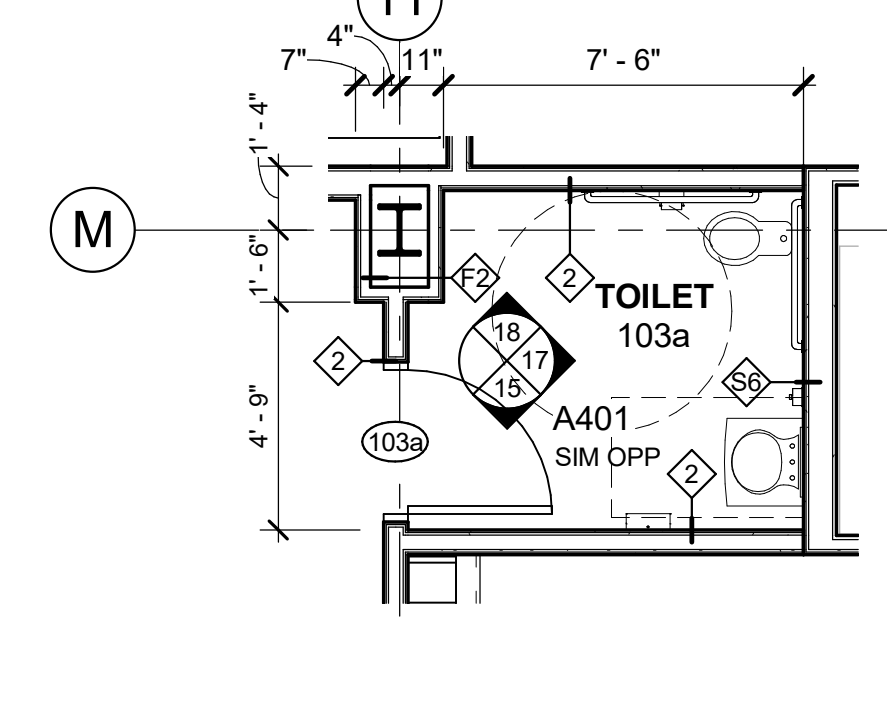
8 TOILET RM (217a) - PLAN
 1/4" = 1'-0"



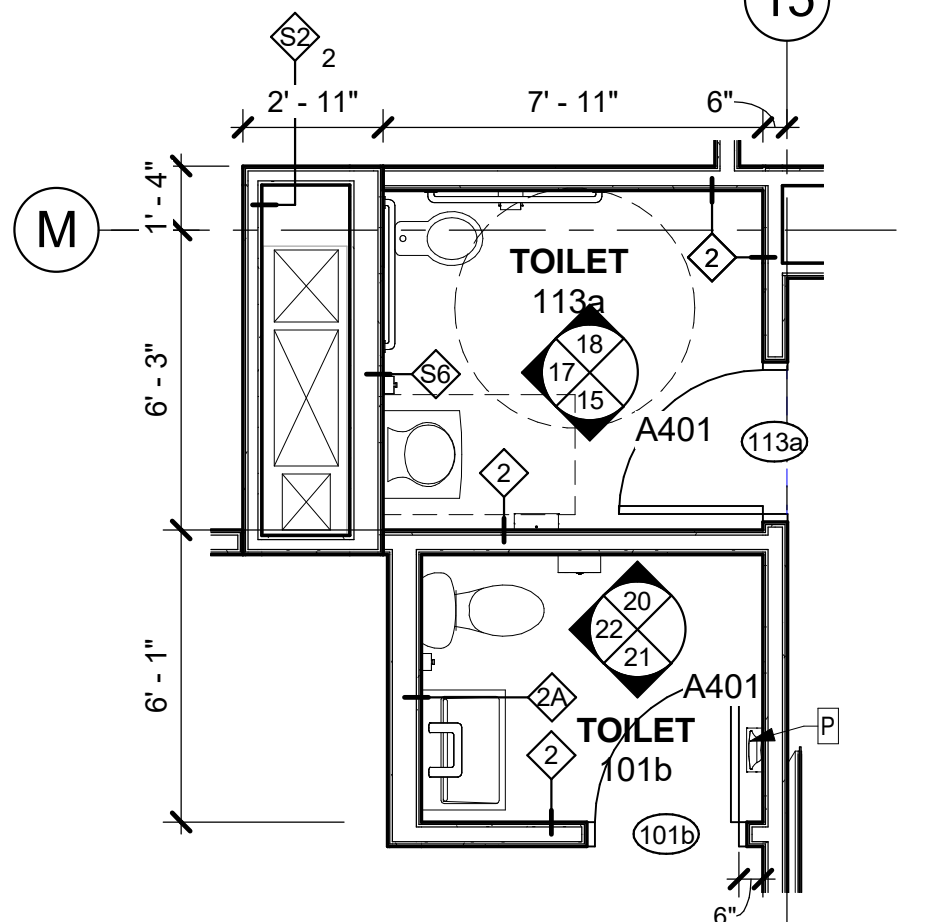
7 TOILET RM (202a) - PLAN
 1/4" = 1'-0"



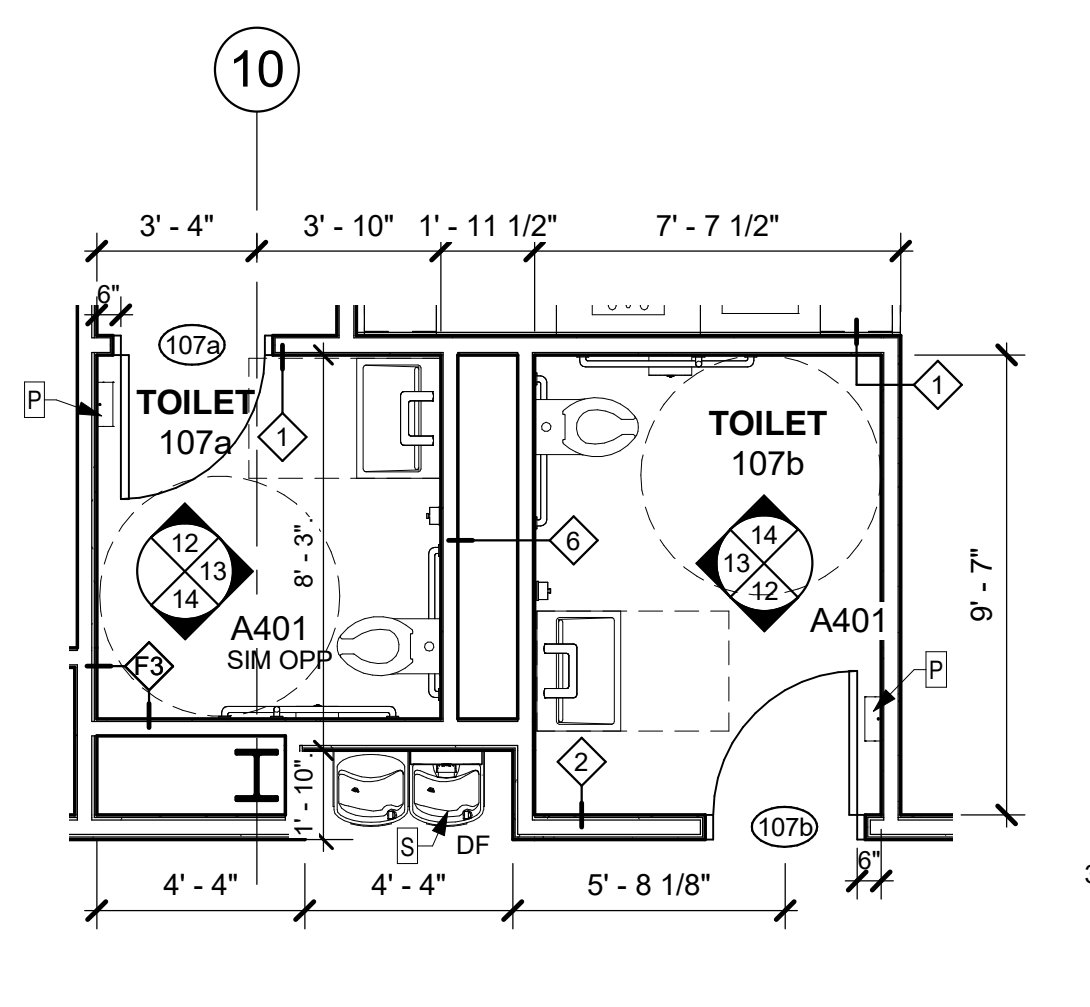
5 TOILET RM (111a) - PLAN
 1/4" = 1'-0"



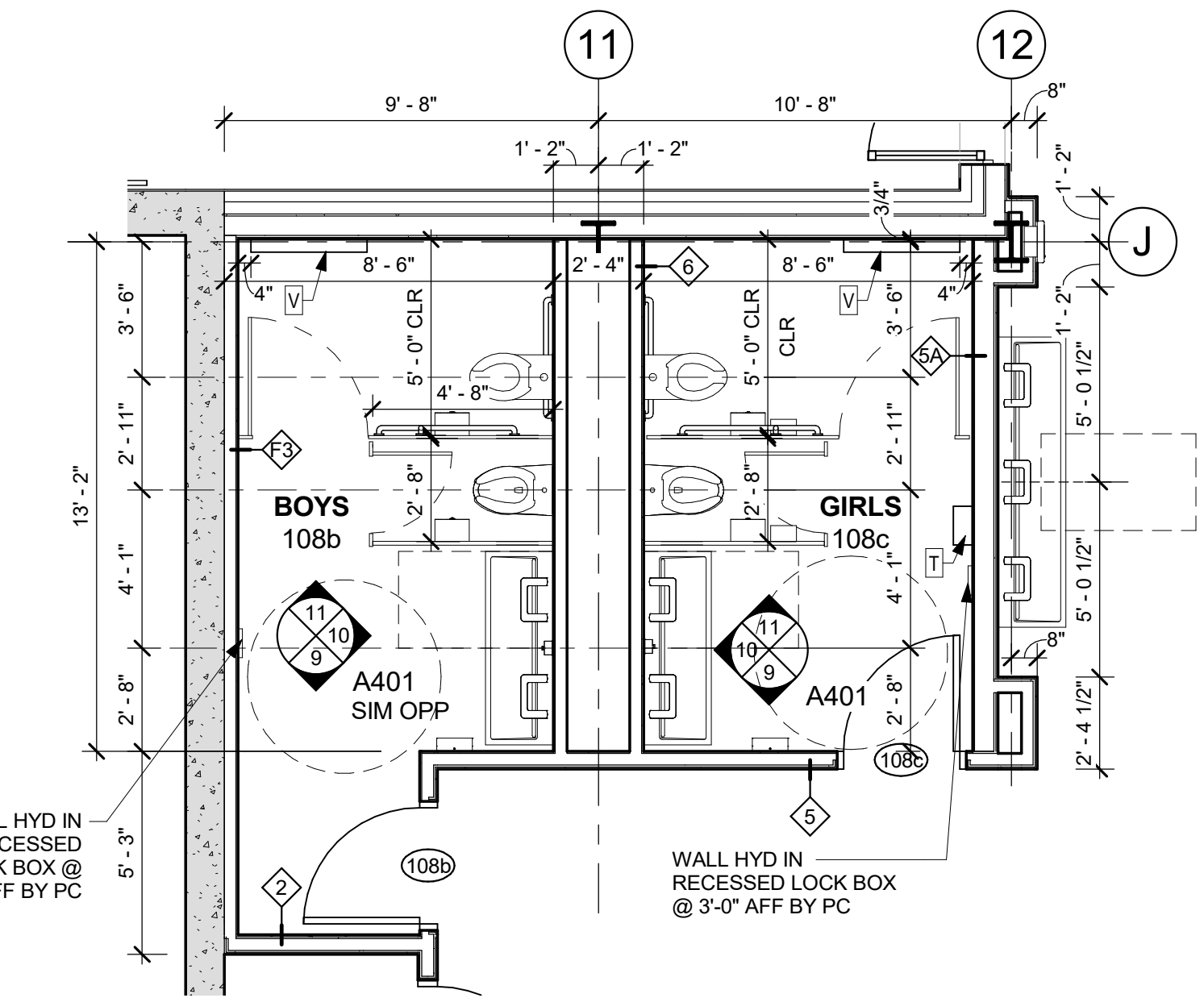
4 TOILET RM (103a) - PLAN
 1/4" = 1'-0"



3 TOILET RM (101b & 113a) - PLAN
 1/4" = 1'-0"

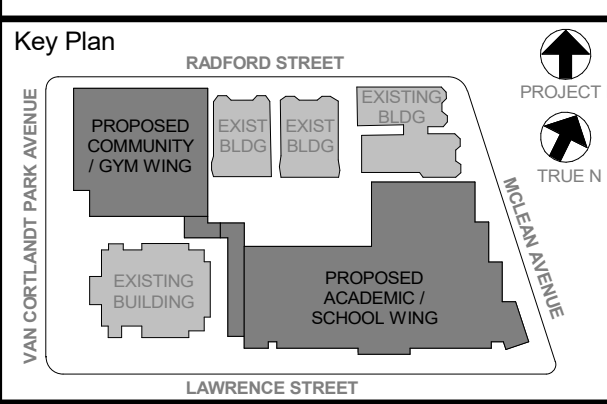


2 TYPICAL ADA FACILITY TOILET - PLAN
 1/4" = 1'-0"



1 CAFETERIA TOILET RM - PLAN
 1/4" = 1'-0"

TOILET ROOM EQUIPMENT GENERAL NOTES:
 HAND TOWEL DISPENSERS, TOILET PAPER DISPENSERS, SOAP & HAND SANITIZER DISPENSERS, SANITARY DISPENSERS AND DISPOSALS (SUPPLIED BY OWNER) ARE SHOWN FOR LOCATION. G.C. TO INSTALL & PROVIDE BLOCKING PER SPEC.
 FLUSH VALVE COVERS FURNISHED BY PC, GC TO INSTALL.



NOTE: ALL LOCAL DESIGN REQUIREMENTS ARE PLANNED AND INDICATED OR REPRESENTED BY THIS DRAWING AND ARE THE PROPERTY OF THE CLIENT. ANY CHANGES TO THIS DRAWING SHALL BE NOTIFIED BY THE ARCHITECT. ANY CHANGES TO THIS DRAWING SHALL BE NOTIFIED BY THE ARCHITECT. ANY CHANGES TO THIS DRAWING SHALL BE NOTIFIED BY THE ARCHITECT.

WRITTEN DIMENSIONS ON THIS DRAWING SHALL PRECEDE OVER SCALED DIMENSIONS. CONTRACTOR SHALL VERIFY ALL ACTUAL DIMENSIONS AND CONDITIONS ON THE JOB AND THE ARCHITECT MUST BE NOTIFIED OF ANY DISCREPANCIES FROM DIMENSIONS AND CONDITIONS SHOWN. SHOP DETAILS MUST BE SUBMITTED TO THIS OFFICE FOR APPROVAL BEFORE PROCEEDING WITH FABRICATION.

ALL REVISIONS BY ANY PERSON, IN ANY WAY, OF ANY ITEM CONTAINED ON THIS DOCUMENT, UNLESS ACTING UNDER THE DIRECTION OF THE LICENSED ARCHITECT, ENGINEER, PROFESSIONAL DESIGNER, OR ARCHITECT, SHALL BE A VIOLATION OF PROFESSIONAL ETHICS AND CONSTRUCTION LAW. ANY REVISIONS SHALL BE SUBMITTED TO THIS OFFICE FOR APPROVAL BEFORE PROCEEDING WITH FABRICATION.

No.	Date	Issue
5	11/01/2021	ISSUE FOR BID
4	08/24/2021	NYSED ADDENDUM 1
3	07/14/2021	CONSTRUCTION DOCS - NYSED
2	12/15/2020	DESIGN DEVELOPMENT

Professional Seal

TOILET ROOM PLANS & ELEVATIONS

Job No. 2019-1026 Date 12/15/2020
 Scale AS NOTED Drawn / Checked -
 Sheet Number

A401