

BULLETIN # 3 3

DATE: April 23, 2026

TO: Piazza Inc.
Attn: John Piazza

CC: Chaker Maghak, Hill Intl.

FROM: Brian Dunn, AIA
KG+D Architects, PC

PROJECT: Harrison Recreation & Community Center – PHASE 2
Harrison, NY

RE: Delete Openings in Conference Room 103 Counter Top

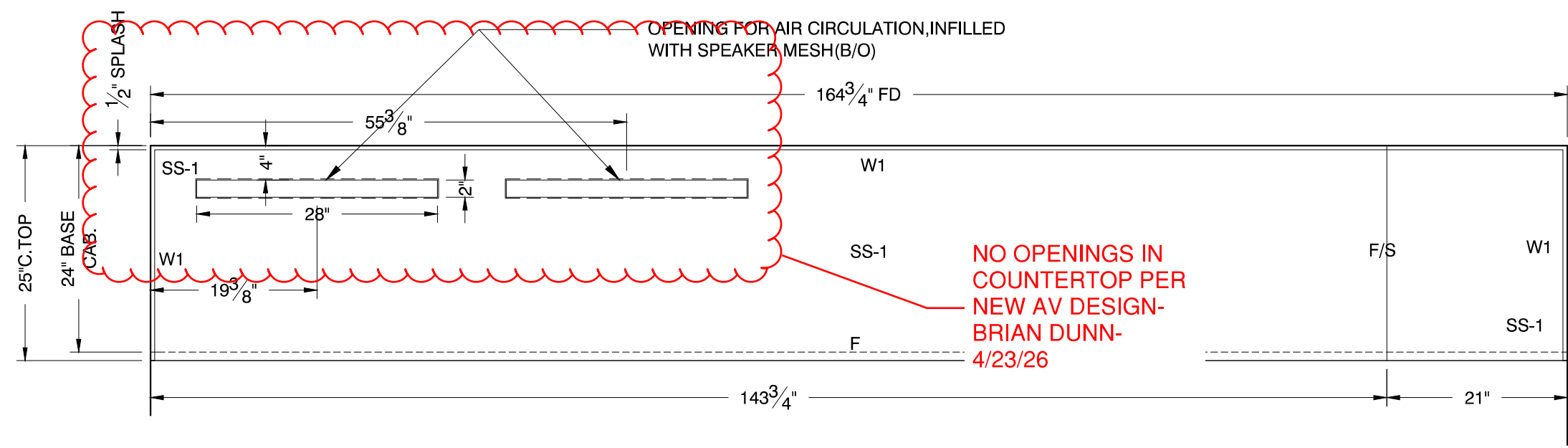
Delete the openings shown in the attached revised shop drawings to remove the air flow cutouts in the solid surface counter top.

Encl: *Revised Shop Drawing*



ISSUE	DESCRIPTION	DATE
A	FOR APPROVAL	03.24.2025
B	FOR APPROVAL	06.26.2025
C	FOR APPROVAL	10.10.2025
D	FOR APPROVAL	11.21.2025
E	FOR APPROVAL	12.05.2025

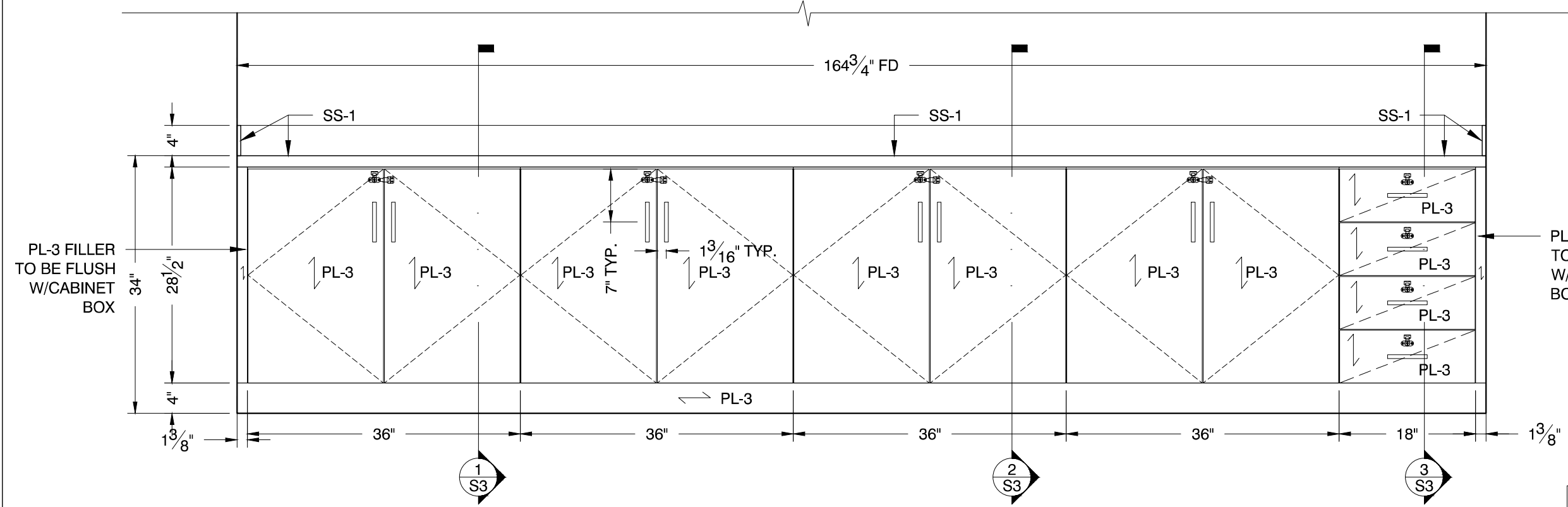
PART: CONFERENCE 103B
 QUANTITY: 01
 MATERIAL: AS NOTED
 BUILD TO DRAWING



1 PLAN
 PART CONFERENCE 103B SCALE 1:16



W : WALL
 W1 : 4" BACK SPLASH
 F : 1-1/2" BUILD DOWN
 F/S : FIELD SEAM



2 ELEVATION
 PART CONFERENCE 103B SCALE 1:16

Evans & Paul
 140 DUPONT STREET, PLAINVIEW, NY 11803
 PHONE: 516 576 0800 FAX: 516 576 0806
 WWW.EVANSANDPAUL.COM

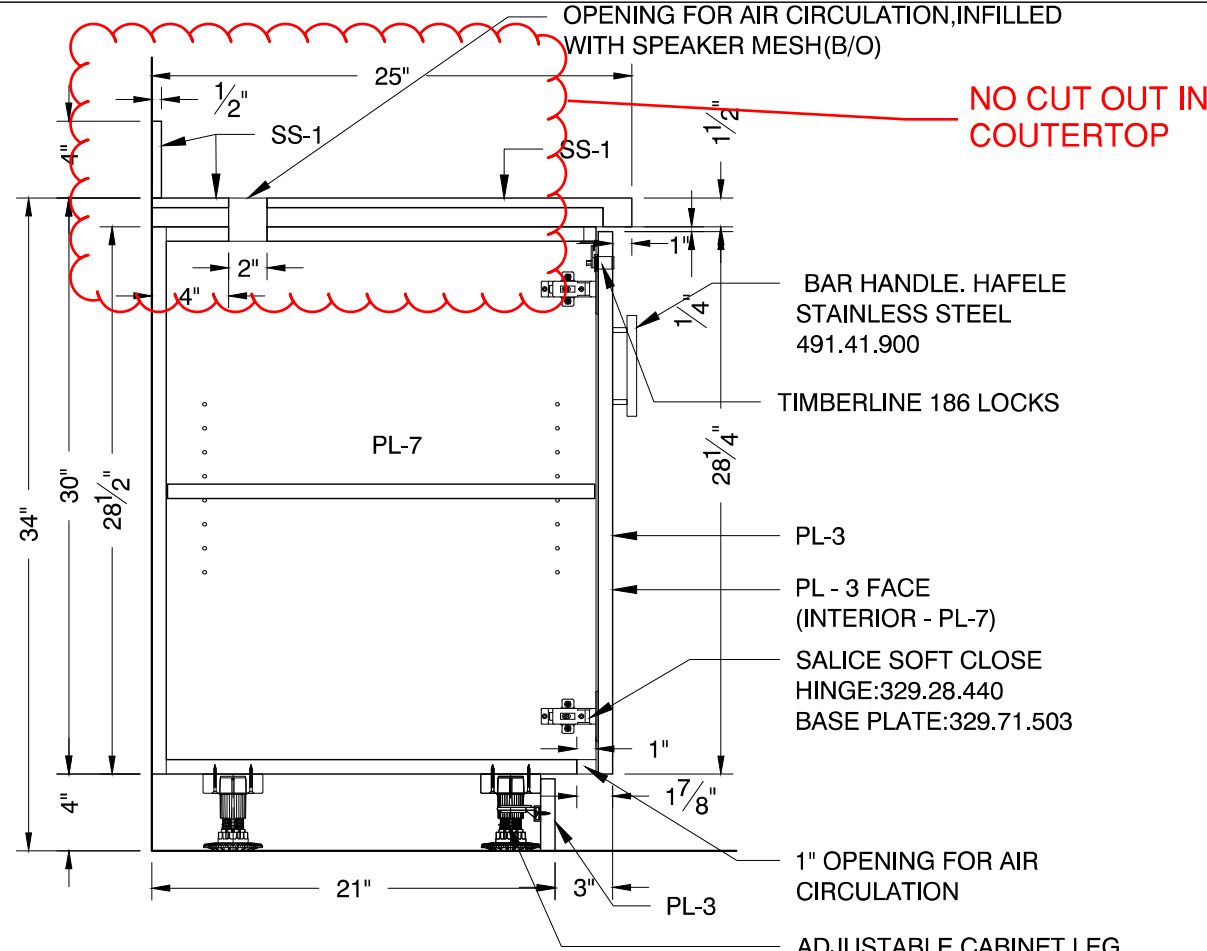
THIS DRAWING INCLUDING THE SPECIFICATIONS, CONCEPTS, DESIGNS AND ARRANGEMENTS REPRESENTED THERE BY OR INCORPORATED IN IT, IS AND SHALL REMAIN THE PROPERTY OF EVANS AND PAUL, LLC. IT SHALL BE USED ONLY FOR THE SPECIFIC PROJECT FOR WHICH IT HAS BEEN PREPARED. WITHOUT THE PRIOR WRITTEN AUTHORIZATION OF EVANS AND PAUL, LLC. IT SHALL NOT BE COPIED, DISCLOSED TO THIRD PARTIES, USED TO PERFORM OR COMPLETE THIS PROJECT BY OTHERS, OR USED IN CONNECTION WITH ANY WORK OR PROJECT OTHER THAN THE SPECIFIC PROJECT FOR WHICH IT HAS BEEN PREPARED. FOR ALL PROJECTS INSTALLED BY EVANS AND PAUL, LLC OR BY AN AGENT OF EVANS AND PAUL, LLC, FIELD DIMENSIONS MUST BE VERIFIED PRIOR TO RELEASE TO MANUFACTURE.

JOB NUMBER:	0031528	CUSTOMER PO#:	----
CUSTOMER:	PIAZZA BROTHERS		
PROJECT:	PHASE II - HARRISON RECREATION		
PHASE:			
MATERIAL:	AS NOTED	COLOR:	AS NOTED
SHEET TITLE:	CONFERENCE 103B	SCALE:	AS NOTED
DRAWN BY:	AS		
CHECKED BY:	RC		
DATE:	12/05/2025	SHEET	02 OF 46

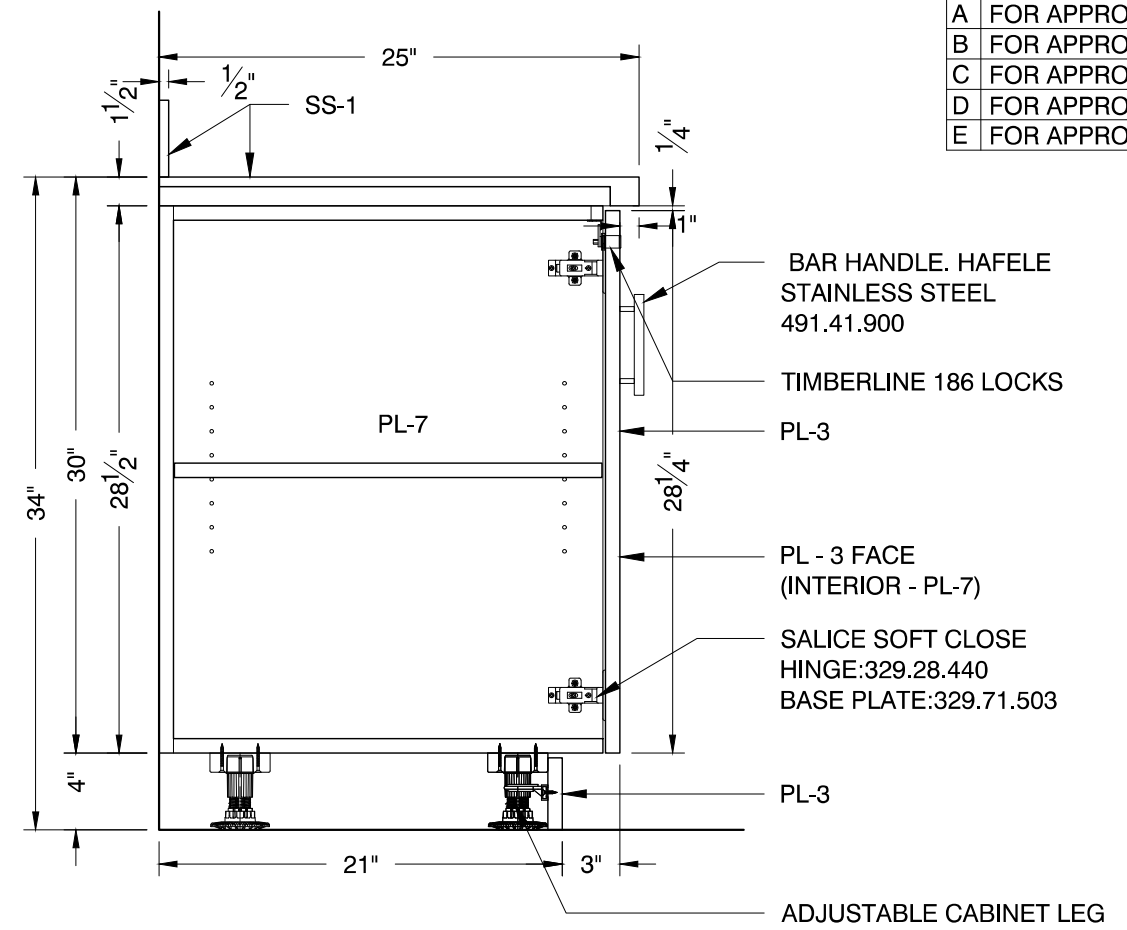
SIGNATURE OF APPROVAL: _____ DATE: _____

THIS DRAWING IS RELEASED FOR CUSTOMER APPROVAL ONLY. THE INFORMATION CONTAINED HEREIN REMAINS NOT FOR MANUFACTURE PENDING FINAL REVIEW AND APPROVAL BY CUSTOMER. **NOT FOR MANUFACTURE**

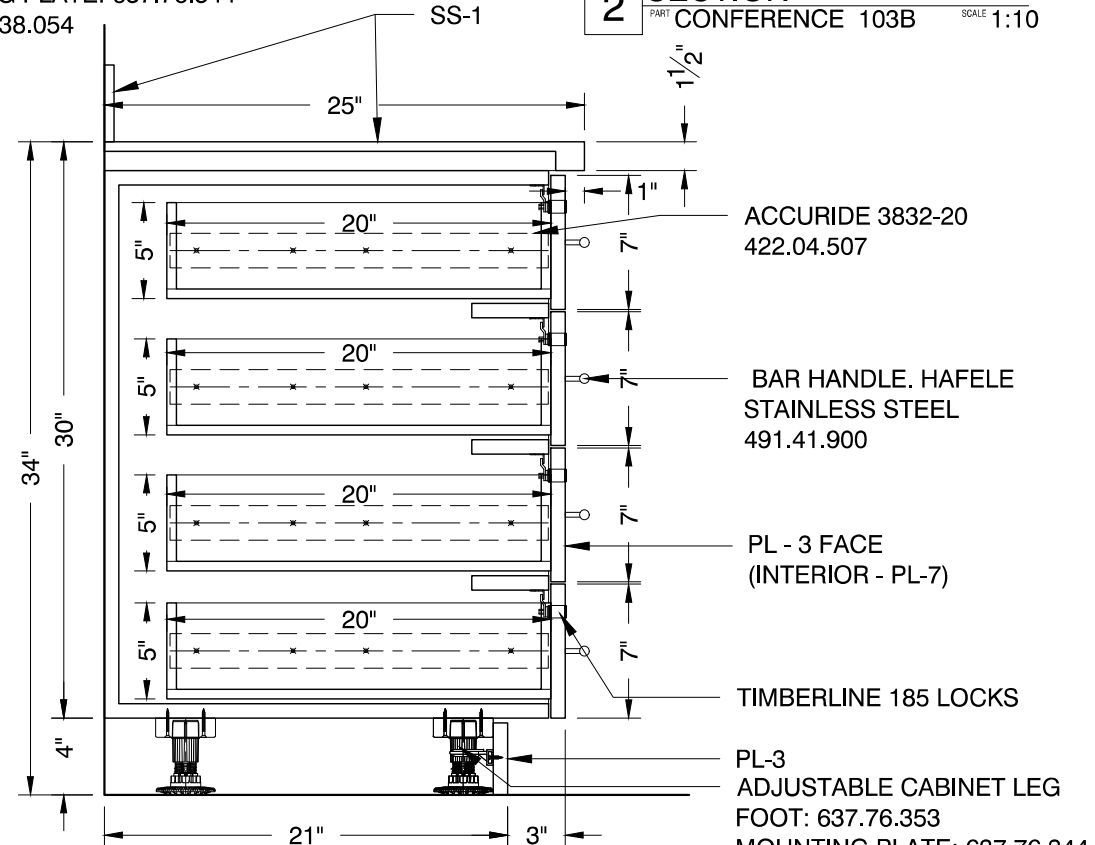
ISSUE	DESCRIPTION	DATE
A	FOR APPROVAL	03.24.2025
B	FOR APPROVAL	06.26.2025
C	FOR APPROVAL	10.10.2025
D	FOR APPROVAL	11.21.2025
E	FOR APPROVAL	12.05.2025



1 SECTION
PART CONFERENCE 103B SCALE 1:10



2 SECTION
PART CONFERENCE 103B SCALE 1:10



3 SECTION
PART CONFERENCE 103B SCALE 1:10

Evans & Paul 140 DUPONT STREET, PLAINVIEW, NY 11803 PHONE: 516 576 0800 FAX: 516 576 0806 WWW.EVANSANDPAUL.COM		<small>THIS DRAWING INCLUDING THE SPECIFICATIONS, CONCEPTS, DESIGNS AND ARRANGEMENTS REPRESENTED THERE BY OR INCORPORATED IN IT, IS AND SHALL REMAIN THE PROPERTY OF EVANS AND PAUL, LLC. IT SHALL BE USED ONLY FOR THE SPECIFIC PROJECT FOR WHICH IT HAS BEEN PREPARED. WITHOUT THE PRIOR WRITTEN AUTHORIZATION OF EVANS AND PAUL, LLC IT SHALL NOT BE COPIED, DISCLOSED TO THIRD PARTIES, USED TO PERFORM OR COMPLETE THIS PROJECT BY OTHERS, OR USED IN CONNECTION WITH ANY WORK OR PROJECT OTHER THAN THE SPECIFIC PROJECT FOR WHICH IT HAS BEEN PREPARED. FOR ALL PROJECTS INSTALLED BY EVANS AND PAUL, LLC OR BY AN AGENT OF EVANS AND PAUL, LLC, FIELD DIMENSIONS MUST BE VERIFIED PRIOR TO MANUFACTURE.</small>	
JOB NUMBER: 0031528	CUSTOMER PO#: -----		
CUSTOMER: PIAZZA BROTHERS			
PROJECT: PHASE II - HARRISON RECREATION			
PHASE:			
MATERIAL: AS NOTED	COLOR: AS NOTED		
SHEET TITLE: CONFERENCE 103B	SCALE: AS NOTED		
DRAWN BY: AS			
CHECKED BY: RC			
DATE: 12/05/2025			
SIGNATURE OF APPROVAL: _____		DATE: _____	
THIS DRAWING IS RELEASED FOR CUSTOMER APPROVAL ONLY. THE INFORMATION CONTAINED HEREIN REMAINS NOT FOR MANUFACTURE PENDING FINAL REVIEW AND APPROVAL BY CUSTOMER.		NOT FOR MANUFACTURE	