



C&S Companies
 499 Col Eileen Collins Blvd.
 Syracuse, New York 13212-3930
 Phone: (315) 455-2000
 Fax: (315) 455-9667

Submittal #260500-1.0 260500 - Common Work Results for Electrical

Project: 128.060.001 - Dutchess Stadium New Clubhouse &
 Improvements
 1500 NY-9D
 Wappingers Falls, New York 12590

Common Work Results for Electrical - Sleeves Product Information

SPEC SECTION:	260500 - Common Work Results for Electrical	SUBMITTAL MANAGER:	Kara Mearon (C&S Engineers Inc.)
STATUS:	Submitted	DATE CREATED:	03/13/2023
ISSUE DATE:		REVISION:	0
RESPONSIBLE CONTRACTOR:	Piazza Brothers Construction	RECEIVED FROM:	Julianna LoPriore
RECEIVED DATE:	04/10/2023	SUBMIT BY:	
FINAL DUE DATE:	04/24/2023	LOCATION:	
TYPE:	Product Information	COST CODE:	
APPROVERS:	Allen Schmidt (DLR Group), Sarah Treas (DLR Group)		
BALL IN COURT:	Allen Schmidt (DLR Group), Sarah Treas (DLR Group)		
DISTRIBUTION:			
DESCRIPTION:			
ATTACHMENTS:			

SUBMITTAL WORKFLOW

#	NAME	SUBMITTER/ APPROVER	SENT DATE	DUE DATE	RETURNED DATE	RESPONSE	ATTACHMENTS	COMMENTS
1	Damon Baxter	Submitter		1/8/2024		Pending		
2	Gus Carvajal	Submitter		1/8/2024		Pending		
3	Julianna LoPriore	Submitter		1/8/2024	4/10/2023	Submitted	Sleeves (TBS)- Upstate Electric- 260500-2.1D.pdf	Sleeves (Common Work Results for Electrical)
4	Allen Schmidt	Approver	4/10/2023	4/24/2023		Pending		
5	Sarah Treas	Approver	4/10/2023	4/24/2023		Pending		



Submittal #260500-1.0 260500 - Common Work Results for Electrical

Architect/Engineer Approval:

- (A) Approved
- (A/N) Approved As Noted
- (RR) Revise and Resubmit
- (REJ) Rejected
- (SUB) Submit Specified Item

Checking is only for general compliance with the design concept of the project and general compliance with the information given in the contract documents. Any action shown is subject to the requirements of the plans and specifications. Contractor is responsible for dimensions which shall be confirmed and correlated at the jobsite; fabrication processes and techniques of construction; coordination of his work with that of all other trades; and the satisfactory performance of his work.

Reviewed by: _____
Date: _____

DLRGROUP

Submittal Review

Project Name: Dutchess Stadium Left Field Clubhouse
 Project Number: 57-21113-01
 Submittal ID: 260500-1.0
 Received On: 4/10/2023
 Reviewed On: 4/14/2023
 Reviewed By: Collin Wheeler

Action: Furnish As Corrected

This review is for the limited purpose of checking for conformance with information given and the design concept expressed in the Contract Documents. Review of submittals is not for the purpose of determining the accuracy and completeness of other information such as dimensions, quantities, and installation or performance of equipment or systems, which are the Contractor's responsibility. The Architect's review shall not constitute approval of safety precautions or construction means, methods, techniques, sequences or procedures. The Architect's approval of a specific item shall not indicate approval of an assembly of which the item is a component. The Architect's comments, notes or corrections are not an authorization to proceed with Work involving a change in the Contract Sum, the Contract Time or both. If any portion of this review requires a change to the Work, an appropriate change instrument must be executed in accordance with the Contract Documents.

*** Provide fire-rated sleeves as specified for penetrations through fire-rated walls/floors.**

*** Provide EMT sleeves for penetrations through non-rated walls/floors.**

*** Refer to specs for acceptable sleeve type application.**

BY _____

DATE _____

COPIES TO _____



SUBMITTAL COVER SHEET

From: Julianna LoPriore **Attn:** Tim Brown
Company: Piazza, Inc. **C&S Companies**
Phone/Fax #: (914)741-4435 **499 Col. Eileen Collins Blvd.**
Project: Dutchess Stadium **Syracuse, NY 13212**
Project #: RFB-DCB-18-22 **(315) 455-2000; Fax: 455-9577**

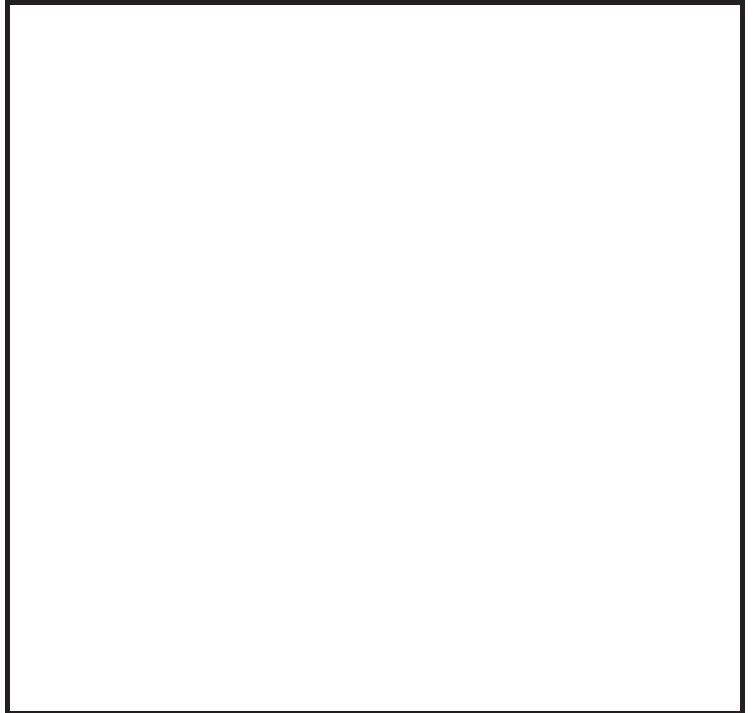
Reference: CSI Code: 260500-1 Dwg No: _____
 Paragraph: 2.1D Other: _____

Description: Sleeves

Supplier: Upstate Electric
Manufacturer: Cantex, Arlington

Item Type: _____ Product Data _____ Manf. Cert/Warranty
 _____ Shop Drawings _____ Samples
 Other: Tehhncial Data

Contractor's Approval:
 _____ Reviewed for general compliance of specifications.
 _____ This submittal is a **substitute** to the specified product.
 _____ For Architects / Engineers Approval
 This is our 1st submittal for this item.
 We are submitting _____ copies.
Contractor Submittal Review Stamp
 THE ATTACHED MATERIAL HAS BEEN REVIEWED BY THE UNDERSIGNED AND IS BELIEVED TO COMPLY WITH ALL REQUIREMENTS OF THE CONTRACT DOCUMENTS. THE UNDERSIGNED UNDERSTANDS VERIFICATION OF FIELD DIMENSIONS, AND COORDINATION WITH OTHER TRADES, REMAINS THE RESPONSIBILITY OF THE CONTRACTOR.
 Submitted by: Piazza, Inc.
 Date: 4/10/23



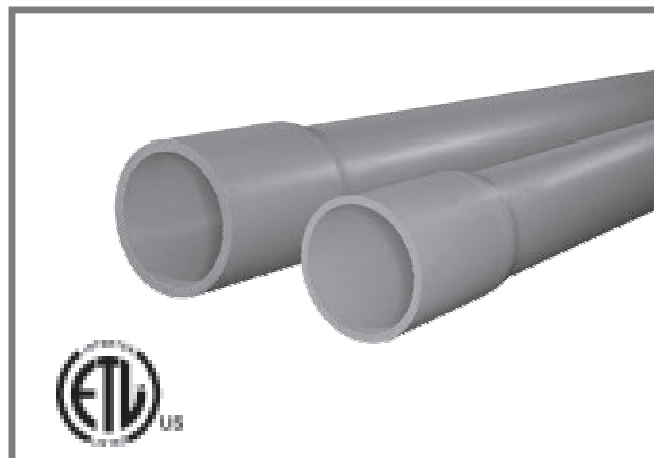
*Note: Provide one cover sheet for each copy of the submittal.

Nonmetallic Schedule 40 Conduit



Backed by over 60 years of manufacturing excellence, CANTEX Schedule 40 PVC Conduit is designed for underground or aboveground applications.

- Nonmetallic PVC material which is corrosion, rust and sunlight resistant
- ETL listed
- Conforms to UL651 and NEMA TC-2
- Rated for use with 90-degree C conductors
- Made in USA
- Sunlight Resistant
- 10' Lengths
- 20' Lengths available (See note below)

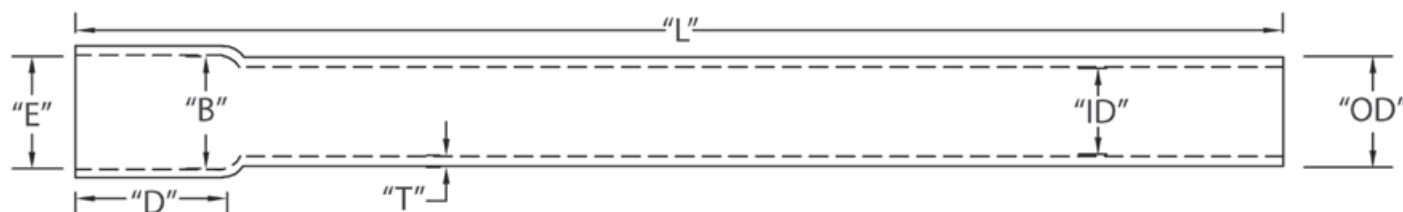


Nonmetallic PVC Schedule 40 Conduit Belled End - 10' Lengths

Part No.	Size	Feet per Pack	T Min	OD	ID Min	E	B	D Nom	L Min
A52AE12	1/2	6,000	.109	.840	.578	.852	.836	1.500	120
A52AG12	3/4	4,400	.113	1.050	.780	1.064	1.046	1.750	120
A52BA12	1	3,600	.133	1.315	1.004	1.330	1.310	2.000	120
A52BC12	1-1/4	3,300	.140	1.660	1.335	1.677	1.655	2.250	120
A52BE12	1-1/2	2,250	.145	1.900	1.564	1.918	1.894	2.500	120
A52CA12	2	1,400	.154	2.375	2.021	2.393	2.369	3.000	120
A52CE12	2-1/2	930	.203	2.875	2.414	2.890	2.868	3.250	120
A52DA12	3	880	.216	3.500	3.008	3.515	3.492	3.750	120
A52DE12	3-1/2	630	.226	4.000	3.486	4.015	3.992	4.000	120
A52EA12	4	570	.237	4.500	3.961	4.515	4.491	4.500	120
A52FA12	5	380	.258	5.563	4.975	5.593	5.553	5.500	120
A52GA12	6	260	.280	6.625	5.986	6.658	6.614	6.125	120
A52JA12*	8	180	.322	8.625	7.853	8.670	8.610	6.375	120

Dimensions are nominal

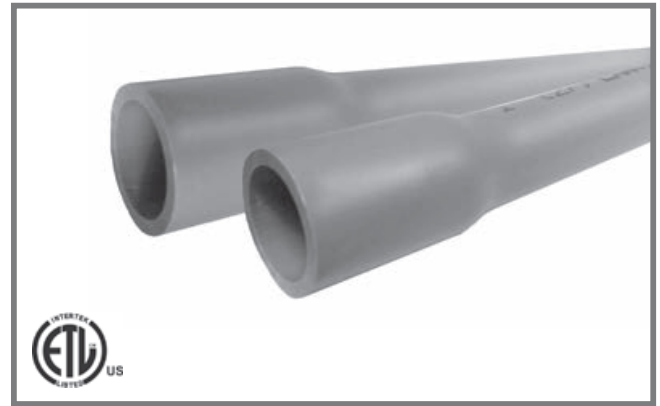
* Not ETL Listed



Note: 20' length available on request with the exception of the 1/2 inch conduit sizes. Schedule 40 conduit complies with federal and military specifications by conforming to UL 651.

CANTEX Schedule 80 PVC Conduit is designed for underground or aboveground applications that are at risk of physical damage.

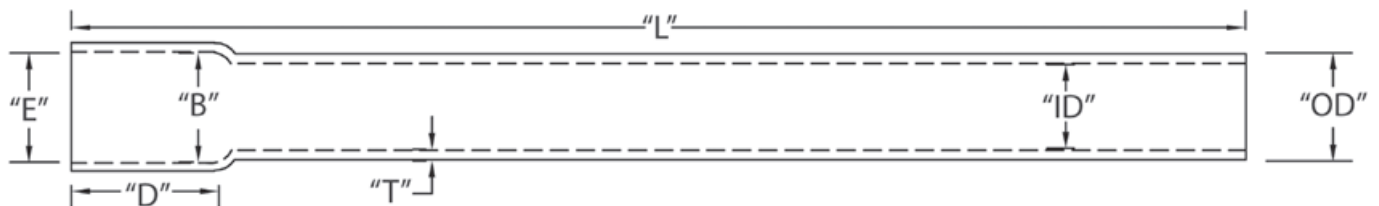
- Nonmetallic PVC material which is corrosion, rust and sunlight resistant
- ETL listed
- Conforms to UL651 and NEMA TC-2
- Rated for use with 90-degree C conductors
- Made in USA
- Sunlight Resistant
- 10' Lengths
- 20' Lengths available (See note below)



Nonmetallic PVC Schedule 80 Conduit Belled End - 10' Lengths

Part No.	Size	Feet per Pack	T Min	OD	ID Min	E	B	D Nom	L Min
A53AE12	1/2	6,000	.147	.840	.502	.852	.836	1.500	120
A53AG12	3/4	4,400	.154	1.050	.698	1.064	1.046	1.750	120
A53BA12	1	3,600	.179	1.315	.910	1.330	1.310	2.000	120
A53BC12	1-1/4	3,300	.191	1.660	1.227	1.677	1.655	2.250	120
A53BE12	1-1/2	2,250	.200	1.900	1.446	1.918	1.894	2.500	120
A53CA12	2	1,400	.218	2.375	1.881	2.393	2.369	3.000	120
A53CE12	2-1/2	930	.276	2.875	2.250	2.890	2.868	3.250	120
A53DA12	3	880	.300	3.500	2.820	3.515	3.492	3.750	120
A53DE12	3-1/2*	630	.318	4.000	3.486	4.015	3.992	4.000	120
A53EA12	4	570	.337	4.500	3.737	4.515	4.491	4.500	120
A53FA12	5	380	.375	5.563	4.713	5.593	5.553	5.500	120
A53GA12	6	260	.432	6.625	5.646	6.658	6.614	6.125	120

Dimensions are nominal



Note: 20' length available on request with the exception of the 1/2 and 3/4 conduit inch sizes. Schedule 80 conduit complies with federal and military specifications by conforming to UL 651. Call for special quotes.

Concrete Pipe Sleeves

Non-metallic pipe sleeves provide an economical method of sleeving through concrete pour, allowing cable or conduit to easily run from one floor to the next. Black.

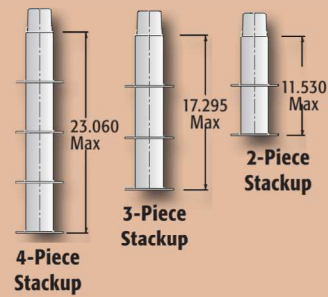
CATALOG NUMBER	UPC/DCI/NAED MFG #018997	DESCRIPTION	FITS	STD PKG	DIM A	DIM B	DIM C
CPS15	72150	For 1-1/2" hole	1" pipe	10	8.500	1.625	3.125
CPS20	10960	For 2" hole	1-1/2" pipe	10	8.500	2.125	3.625
CPS30	72152	For 3" hole	2" pipe	10	8.500	3.125	4.625
CPS40	10962	For 4" hole	3" pipe	10	8.500	4.125	5.625
CPS50	72154	For 5" hole	4" pipe	10	8.500	5.125	6.625
CPS60	10964	For 6" hole	5" pipe	10	8.500	6.125	7.625

MADE IN USA.

FEATURES AND BENEFITS

- Stackable for extra deep pours
- Venting prevents sleeves from sticking together when wet

CONCRETE SLEEVE STACKUP



INSTALLATION INSTRUCTIONS



1 Nail or screw sleeve to form.



2 After concrete sets cut off sleeve flush with surface.



3 Insert conduit into sleeve.

