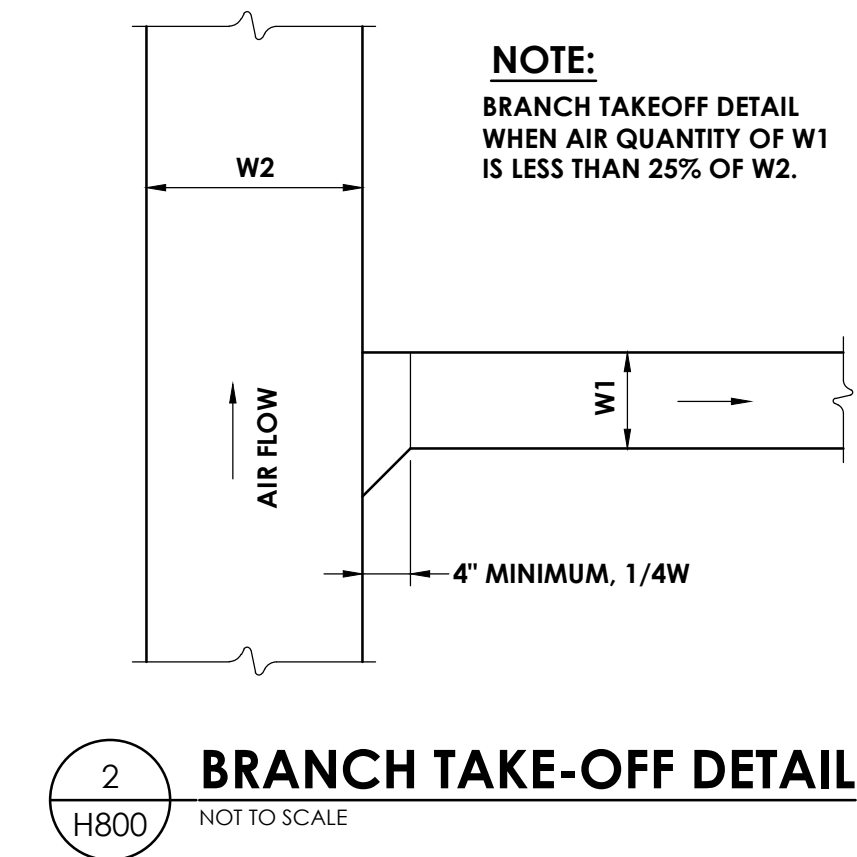
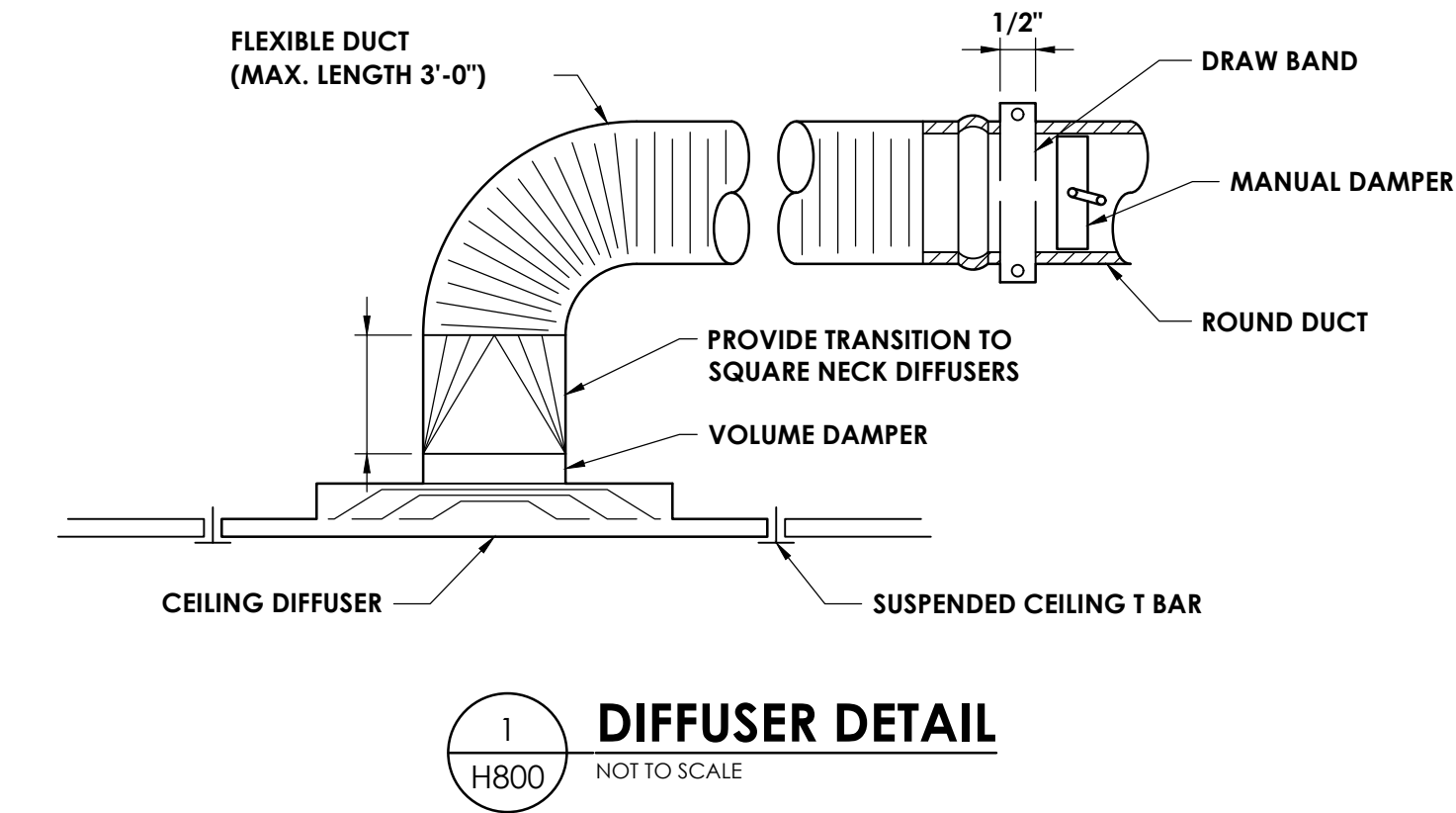


PUMP SCHEDULE															
TAG	LOCATION	SERVICE	MANUFACTURER	MODEL	TYPE	FLUID	GPM	HEAD (FT.WG.)	RPM	HP	ELECTRICAL			EFFICIENCY %	NOTES
											V	PH	HZ		
P-1	ROOF MECHANICAL ROOM	CHILLED WATER SYSTEM	TACO	TA1030	HORIZONTAL SPLIT	WATER	420	100	1760	20	460	3	40	75	
NOTES:															

REGISTER, GRILLE, AND DIFFUSER SCHEDULE							
TAG	MANUFACTURER	MODEL	APPLICATION	MATERIAL	TYPE	FINISH	NOTES
D1	PRICE	SCD	SUPPLY	STEEL	CEILING MOUNT	WHITE	1
G1	PRICE	S30	EXHAUST/RETURN	STEEL	CEILING MOUNT	WHITE	2
NOTES:							

1. 24X24 FACE SIZE.
2. 45° DEFLECTION, 3/4" BLADE SPACING.



Consultant

 CPL | Architecture Engineering Planning
 28 BM Road
 Poughkeepsie, NY 12601
 CPLteam.com
 NY ENGINEERING FIRM CERTIFICATE #018330

DC TEMPORARY HOMELESS SHELTER
 RFB-DCB-01-24
 150 N HAMILTON STREET
 Poughkeepsie, NY 12601

No.	Description	Date

© TINKELMAN ARCHITECTURE PLLC | 2023
 ALL RIGHTS RESERVED. NO COPY OR REPRODUCTION OF THIS DRAWING OR ANY PORTION THEREOF IS PERMITTED WITHOUT THE WRITTEN PERMISSION OF THE ARCHITECT. ANY USES AS TENDERS OR ADDITION TO A DRAWING BEARING THE SEAL OF A LICENSED ARCHITECT IS A VIOLATION OF SECTION 209 SUBSECTION 2 OF THE NEW YORK STATE EDUCATION LAW.


TINKELMAN ARCHITECTURE
 33 Arlington Avenue, 2nd Floor, Poughkeepsie, NY
 845-473-0200 | [view our work at tinkarch.com](http://www.tinkarch.com)

Professional Seal


MECHANICAL DETAILS, CONTROLS, AND SCHEDULES

Proj. No. C2349.00
 Date 01/18/2024

H-800