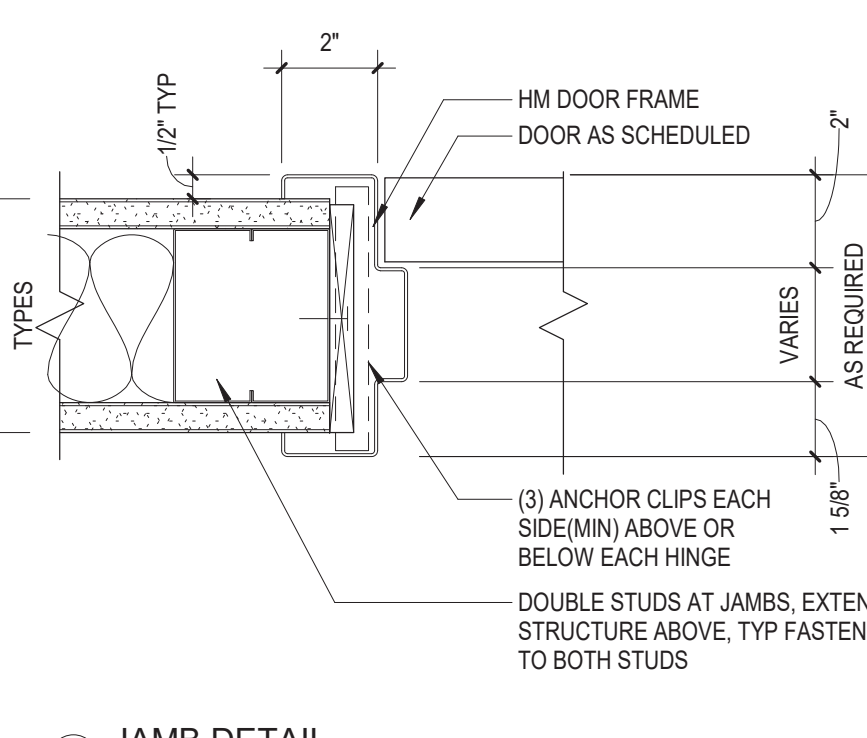
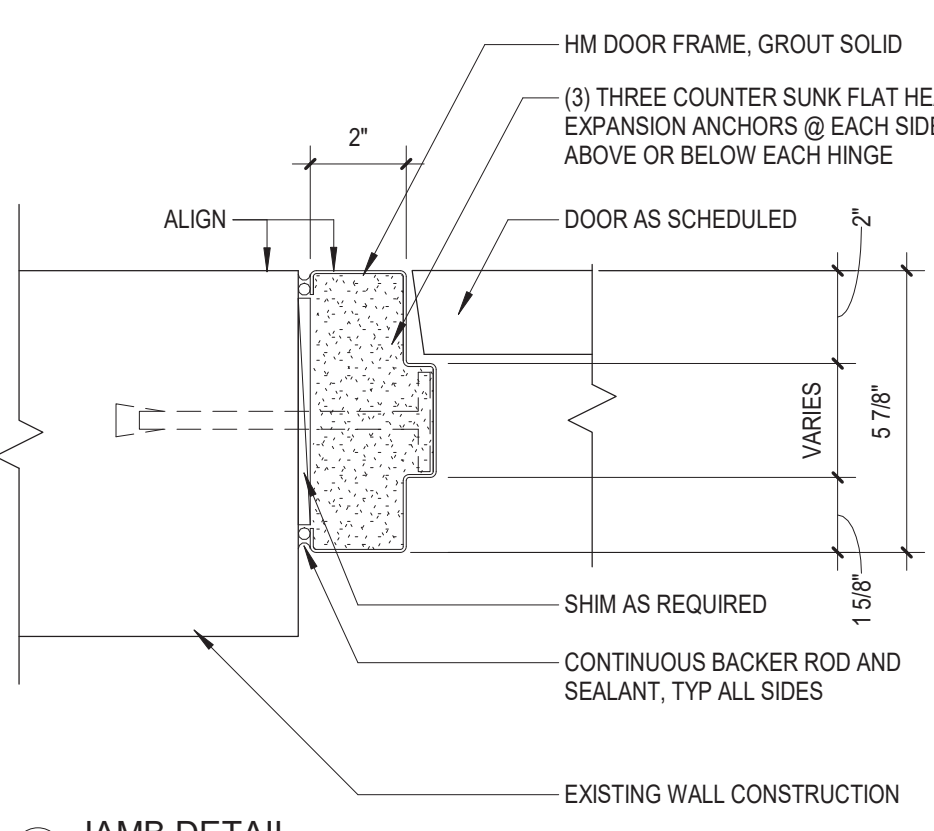
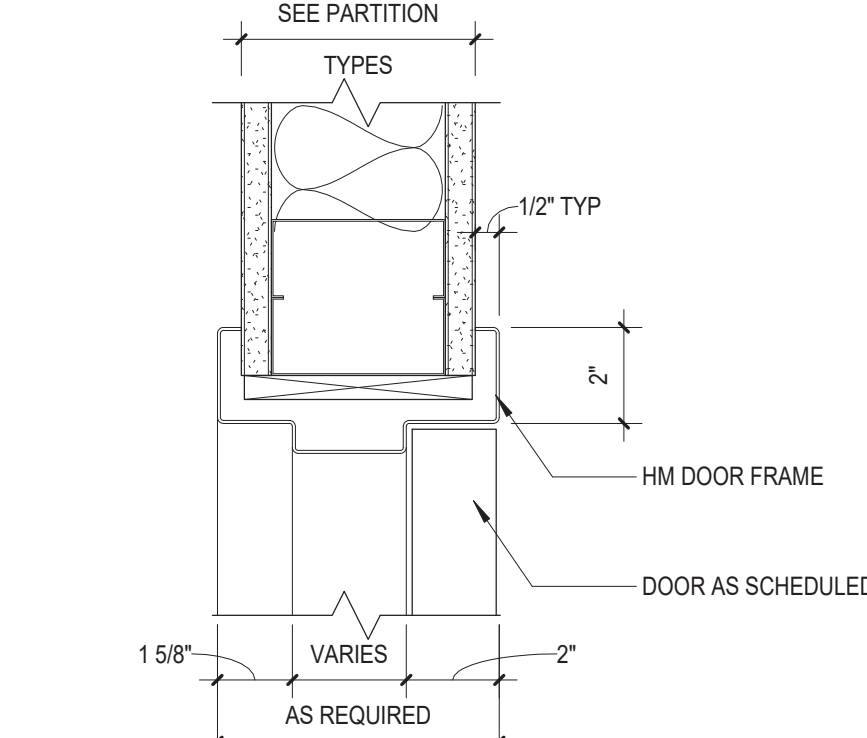
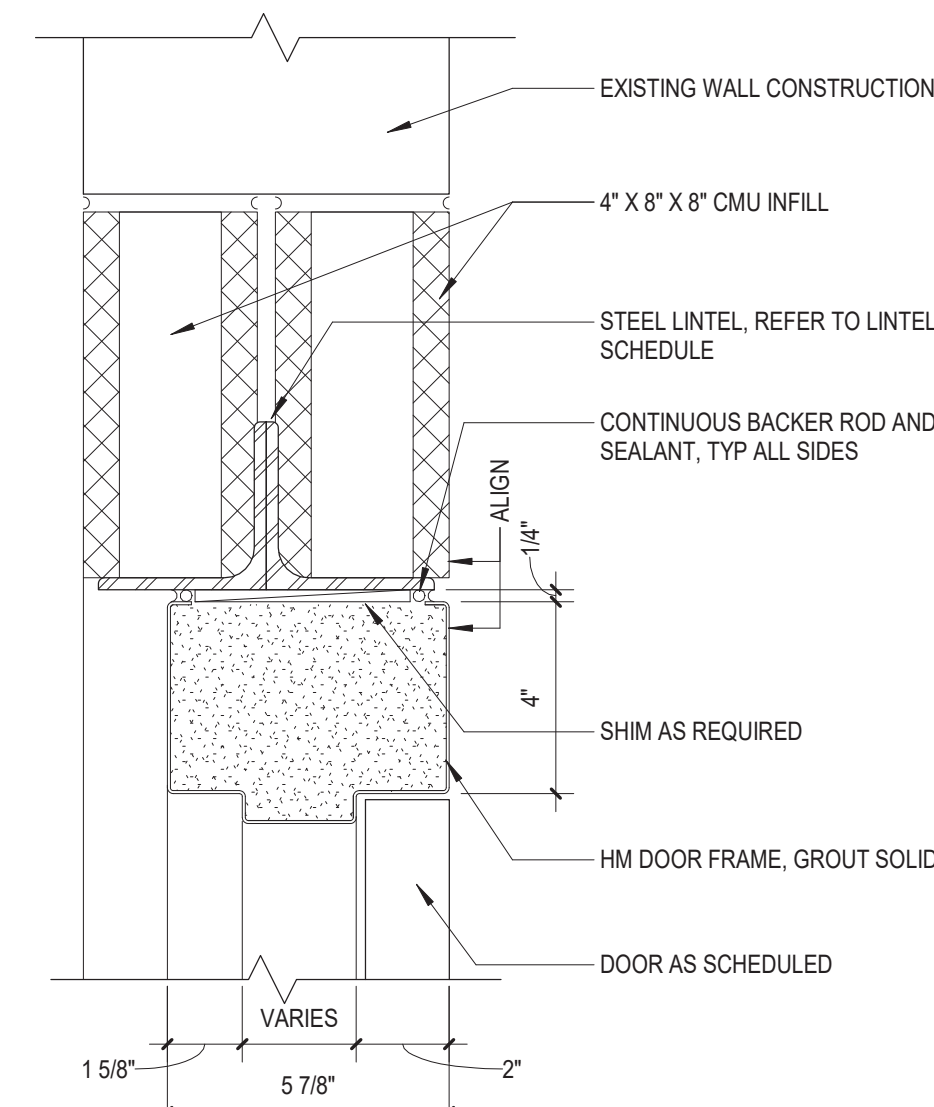


LOOSE LINTEL SCHEDULE	
SPAN	ANGLE REQUIRED
UP TO 4'	3 1/2" x 3 1/2" x 1/4"
4' TO 5'	4" x 3 1/2" x 5/16"
5' TO 6'	5" x 3 1/2" x 5/16"
6' TO 7'	6" x 3 1/2" x 3/8"
7' TO 8'	7" x 4" x 3/8"
OVER 8'	CUSTOM



**CONTRACTOR'S NOTE:**  
 1. REFER TO SHEET A-104 MATERIAL FINISH SCHEDULE FOR ALTERNATE GC-1: DOOR AND RAILING PAINTING.

**10 DOOR TYPES**  
1/4" = 1'-0"

DOOR NUMBER	DOOR SIZE		DOOR MATERIAL	DOOR TYPES	DOOR		FRAME		DOOR HARDWARE GROUP	COMMENTS	NOTES
	WIDTH	HEIGHT			THICKNESS	FINISH	FRAME MATERIAL	FRAME FINISH			
1ST FLOOR											
104	3'-0"	7'-0"	HM	B	1 3/4"	PTD	HM	PTD	#001	CARD READER	
106	3'-0"	7'-0"	HM	C	1 3/4"	PTD	HM	PTD	#011	CARD READER	
113A	3'-0"	7'-0"									
114	3'-0"	7'-0"	HM	B	1 3/4"	PTD	HM	PTD	#002		
115	3'-0"	7'-0"	HM	B	1 3/4"	PTD	HM	PTD	#003		
116	3'-0"	7'-0"	HM	B	1 3/4"	PTD	HM	PTD	#003		
117	3'-0"	7'-0"	HM	B	1 3/4"	PTD	HM	PTD	#003		
121	3'-0"	7'-0"	HM	B	1 3/4"	PTD	HM	PTD	#004		
123	3'-0"	7'-0"	HM	C	1 3/4"	PTD	HM	PTD	#005		
125	3'-0"	7'-0"	HM	B	1 3/4"	PTD	HM	PTD	#011		
127	3'-0"	7'-0"	HM	B	1 3/4"	PTD	HM	PTD	#008		
133	3'-0"	7'-0"	HM	C	1 3/4"	PTD	HM	PTD	#006		
133A	3'-0"	7'-0"	HM	C	1 3/4"	PTD	HM	PTD			
139	3'-0"	7'-0"	HM	C	1 3/4"	PTD	HM	PTD	#007	CARD READER	
139A	3'-0"	7'-0"									
141	3'-0"	7'-0"	HM	C	1 3/4"	PTD	HM	PTD		CARD READER	
144	3'-0"	7'-0"	HM	C	1 3/4"	PTD	HM	PTD	#001	CARD READER	
146	3'-0"	7'-0"	HM	C	1 3/4"	PTD	HM	PTD	#009		
147	3'-0"	7'-0"	HM	C	1 3/4"	PTD	HM	PTD	#009		
2ND FLOOR											
205	3'-0"	7'-0"	HM	B	1 3/4"	PTD	HM	PTD	#004		
206	6'-6"	6'-6"	HM	D	1 3/4"	PTD	HM	PTD	#010		
210	3'-0"	7'-0"	HM	B	1 3/4"	PTD	HM	PTD	#004		

**DOOR SCHEDULE - EXISTING DOORS**

DOOR NUMBER	DOOR FINISH	FRAME FINISH	DOOR HARDWARE GROUP	COMMENTS
1ST FLOOR				
100				POWER OPERATOR (PUSH PADDLE)
101				SECURITY CONTROLLED
102				SECURED CLOSED
103				SECURED CLOSED
105		#003		NEW HARDWARE
107		#003		NEW HARDWARE
108		#003		NEW HARDWARE
109		#003		NEW HARDWARE
110		#003		NEW HARDWARE
111				SECURED OPEN
112				SECURED OPEN
113		#001		CARD READER
118		#002		SECURED CLOSED
119		#001		CARD READER
120		#008		NEW HARDWARE
122		#001		CARD READER
124		#001		CARD READER
126		#002		SECURED CLOSED
128		#003		NEW HARDWARE
129		#003		SECURED OPEN
130		#002		SECURED CLOSED
131		#003		NEW HARDWARE
132		#003		NEW HARDWARE
134		#002		SECURED CLOSED
135		#002		SECURED CLOSED
136		#008		NEW HARDWARE
137				POWER OPERATOR (PUSH PADDLE)
138				CARD READER
140				POWER OPERATOR (PUSH PADDLE)
142		#012		CARD READER
143				POWER OPERATOR (PUSH PADDLE)
145				POWER OPERATOR (PUSH PADDLE)
ST-1		#011		NEW HARDWARE
ST2-1A		#011		NEW HARDWARE
ST2-1B		#011		NEW HARDWARE
ST3-1		#011		NEW HARDWARE
2ND FLOOR				
200				POWER OPERATOR (PUSH PADDLE)
201				CARD READER
202		#008		NEW HARDWARE
203		#004		NEW HARDWARE
204		#001		CARD READER
207				POWER OPERATOR (PUSH PADDLE)
208				CARD READER
209		#001		CARD READER
211		#004		NEW HARDWARE
212		#008		NEW HARDWARE
ST1-2		#011		NEW HARDWARE
ST2-2		#011		NEW HARDWARE
ST3-2		#011		NEW HARDWARE
THIRD FLOOR PLAN - NEW ARCHITECTURAL WORK				
300		#008		NEW HARDWARE
301		#008		NEW HARDWARE
ST1-3		#011		NEW HARDWARE
ST2-3		#011		NEW HARDWARE
ST3-3		#011		NEW HARDWARE

**DOOR HARDWARE GROUPS**

QUANTITY	DESCRIPTION	CATALOG NUM.	FINISH	MFR.
HARDWARE GROUP NO. 001 PROVIDE EACH SGL DOOR(S) WITH THE FOLLOWING:				
3 EA	HINGE	BB81 4.5"	626	PBB
1 EA	STOREROOM LOCK	CDC-86-S	626	TST
1 EA	ELECTRIC STRIKE	25-4 FSE	626	SDC
1 EA	DOOR CONTACT	BY EAC PROVIDER	GRY	EAC
1 EA	CARD READER	BY EAC PROVIDER	BLK	EAC
1 EA	SURFACE CLOSER	TDC40 CUSH	689	TST
1 EA	WALL STOP	WS406/407 CVX	630	IVE
1 EA	KICKPLATE	8400 10" X 1 1/2" LDW B-CS	630	IVE
1 EA	GASKETING	W-22	GRY	KNC
THEORY OF OPERATION: DOOR REMAINS LOCKED UNLESS OPENED BY MEANS OF CARD READER. FREE EGRESS IS ALWAYS ALLOWED.				
HARDWARE GROUP NO. 002 PROVIDE EACH SGL DOOR(S) WITH THE FOLLOWING:				
3 EA	HINGE	BB81 4.5"	626	PBB
1 EA	STOREROOM LOCK	CDC-86-S	626	TST
1 EA	WALL STOP	WS406/407 CVX	630	IVE
1 EA	SILENCERS	SR-64	GRY	IVE
HARDWARE GROUP NO. 003 PROVIDE EACH SGL DOOR(S) WITH THE FOLLOWING:				
3 EA	HINGE	BB81 4.5"	626	PBB
1 EA	ENTRY/OFFICE LOCK	CDC-105-S	626	TST
1 EA	WALL STOP	WS406/407 CVX	630	IVE
1 EA	GASKETING	W-22	GRY	KNC
HARDWARE GROUP NO. 004 PROVIDE EACH SGL DOOR(S) WITH THE FOLLOWING:				
3 EA	HINGE	BB81 4.5"	626	PBB
1 EA	PRIVACY LATCH	CDC-76-S	626	TST
1 EA	WALL STOP	WS406/407 CVX	630	IVE
1 EA	SILENCERS	SR-64	GRY	IVE
HARDWARE GROUP NO. 005 PROVIDE EACH SGL DOOR(S) WITH THE FOLLOWING:				
3 EA	HINGE	BB81 4.5"	626	PBB
1 EA	STOREROOM LOCK	CDC-86-S	626	TST
1 EA	ELECTRIC STRIKE	25-4 FS	626	SDC
1 EA	DOOR CONTACT	BY EAC PROVIDER	GRY	EAC
1 EA	CARD READER	BY EAC PROVIDER	BLK	EAC
1 EA	SURFACE CLOSER	TDC40 CUSH	689	TST
1 EA	KICKPLATE	8400 10" X 1 1/2" LDW B-CS	630	IVE
1 EA	GASKETING	W-22	GRY	KNC
THEORY OF OPERATION: DOOR REMAINS LOCKED UNLESS OPENED BY MEANS OF CARD READER. FREE EGRESS IS ALWAYS ALLOWED. ELECTRIC STRIKE IS FAIL SAFE.				
HARDWARE GROUP NO. 006 PROVIDE EACH SGL DOOR(S) WITH THE FOLLOWING:				
3 EA	HINGE	BB81 4.5"	626	PBB
1 EA	PASSAGE LATCH	CDC-75-S	626	TST
1 EA	SURFACE CLOSER	TDC-40-EDA	689	TST
1 EA	KICKPLATE	8400 10" X 1 1/2" LDW B-CS	630	IVE
1 EA	WALL STOP	WS406/407 CVX	630	IVE
1 EA	SILENCERS	SR-64	GRY	IVE

QUANTITY	DESCRIPTION	CATALOG NUM.	FINISH	MFR.
HARDWARE GROUP NO. 007 PROVIDE EACH SGL DOOR(S) WITH THE FOLLOWING:				
3 EA	HINGE	BB81 4.5" NRP	626	PBB
1 EA	STOREROOM LOCK	CDC-86-S	626	TST
1 EA	ELECTRIC STRIKE	25-4 FS	626	SDC
1 EA	DOOR CONTACT	BY EAC PROVIDER	GRY	EAC
1 EA	CARD READER	BY EAC PROVIDER	BLK	EAC
1 EA	SURFACE CLOSER	TDC40 CUSH	689	TST
1 EA	KICKPLATE	8400 10" X 1 1/2" LDW B-CS	630	IVE
1 EA	GASKETING	W-22	GRY	KNC
THEORY OF OPERATION: DOOR REMAINS LOCKED UNLESS OPENED BY MEANS OF CARD READER. FREE EGRESS IS ALWAYS ALLOWED. ELECTRIC STRIKE IS FAIL SAFE.				
HARDWARE GROUP NO. 008 PROVIDE EACH SGL DOOR(S) WITH THE FOLLOWING:				
3 EA	HINGE	BB81 4.5"	626	PBB
1 EA	ROLLER LATCH	1891	626	ABH
1 EA	PUSH PLATE	8200 4X16	630	IVE
1 EA	PUSH PLATE	8103 4X16	630	IVE
1 EA	SURFACE CLOSER	TDC-85	689	TST
NOTE: REMAINDER OF HARDWARE ETR. PROVIDE CORRECTION PLATES AS REQUIRED.				
HARDWARE GROUP NO. 009 PROVIDE EACH SGL DOOR(S) WITH THE FOLLOWING:				
3 EA	HINGE	BB81 4.5"	626	PBB
1 EA	PUSH PLATE	8200 4X16	630	IVE
1 EA	PUSH PLATE	8103 4X16	630	IVE
1 EA	SURFACE CLOSER	TDC-40	689	TST
1 EA	WALL STOP	WS406/407 CVX	630	IVE
3 EA	SILENCERS	SR-64	GRY	IVE
HARDWARE GROUP NO. 010 PROVIDE EACH SGL DOOR(S) WITH THE FOLLOWING:				
3 EA	HINGE	BB81 4.5" NRP	626	PBB
2 EA	MANUAL FLUSH BOLT	FB458 12"	626	IVE
1 EA	DUST PROOF STRIKE	DP2	626	IVE
1 EA	STOREROOM LOCK	CDC-86-S	626	TST
1 EA	DOOR CLOSER	TDC-40 HCUSH	689	TST
1 EA	OVERHEAD STOP	4504	626	GUY
1 EA	SILENCERS	SR-64	GRY	IVE
HARDWARE GROUP NO. 011 PROVIDE EACH SGL DOOR(S) WITH THE FOLLOWING:				
3 EA	HINGE	BB81 4.5" NRP	626	PBB
1 EA	PANIC DEVICE	ED9700	630	TST
1 EA	PANIC TRIM	KES-908R	626	TST
1 EA	SURFACE CLOSER	TDC40 CUSH	689	TST
1 EA	GASKETING	W-22	GRY	KNC
1 EA	DOOR SWEEP	W-24S	CLR	KNC
1 EA	THRESHOLD	CT-10	NIL	KNC
HARDWARE GROUP NO. 012 PROVIDE EACH SGL DOOR(S) WITH THE FOLLOWING:				
3 EA	HINGE	BB81 4.5" NRP	626	PBB
1 EA	STOREROOM LOCK	CDC-86-S	626	TST
1 EA	ELECTRIC STRIKE	25-4 FS	626	SDC
1 EA	DOOR CONTACT	BY EAC PROVIDER	GRY	EAC
1 EA	CARD READER	BY EAC PROVIDER	BLK	EAC
1 EA	SURFACE CLOSER	TDC40 CUSH	689	TST
1 EA	KICKPLATE	8400 10" X 1 1/2" LDW B-CS	630	IVE
1 EA	GASKETING	W-22	GRY	KNC
1 EA	DOOR SWEEP	W-24S	CLR	KNC
1 EA	THRESHOLD	CT-10	MIL	KNC

Submissions		
No.	Description	Date
1	ISSUED FOR BID	01/18/2024

C:\Users\chenry\Documents\C2349.00 - DC Emergency Housing\_CD\_CENTRAL\_2024\_chenry\JCN8.rvt

1/16/2024 4:48:47 PM